



Barn Windows, Grills, and Yokes



System Equine

14321 Fifth Line Nassagaweya • Rockwood, ON • N0B 2K0

1 (800) 461-3362 • Sales@SystemEquine.com

SystemEquine.com

Introduction

The purpose of a Dutch window is to increase the ventilation in your barn and allow your horse to see outside. North American temperatures change drastically throughout the year, causing barns to shift and windows to warp. We have created a premium window that includes a heavy duty steel door frame to help minimize this sagging and warping.

Choose from a hot-dipped galvanized finish for longevity or from many colour choices in a powder-coated finish to match your barn's trim or steel siding. Heavy duty hardware and adjustable hinges compliment these windows and are built to last.

We manufacture the heaviest, most durable window in the industry. The entire window system including the frame is galvanized for longevity. All powder-coated windows are pre-galvanized and then powder-coated. The heavy duty adjustable hinge system has a CNC machined stainless hinge bolt with a Delrin bushing pressed in (see right) so you can adjust your window hinges at any time if there is movement. The added strength of the 12 Ga design gives these windows the strength to handle everyday abuse along with limiting any twisting and warping.



Details:

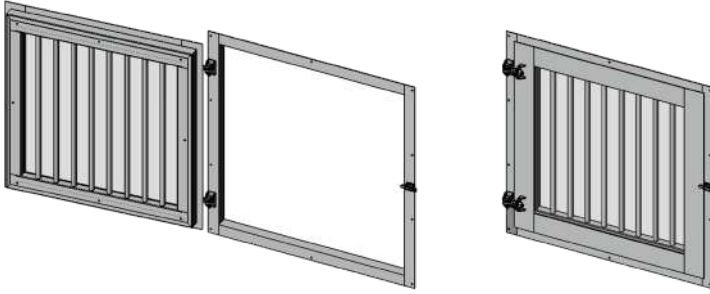
- Welded for strength and durability
- Adjustable hinge system
- Custom sizes available
- Powder-coated paint or hot-dipped galvanized finish



Dutch Windows

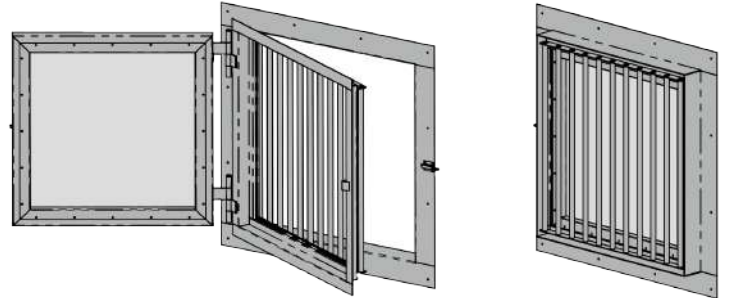
- Can be a vital addition to any barn
- Designed for easy operation
- Added ventilation and socialization
- Includes heavy duty frame to minimize shifting and warping
- Adjustable hinges

- 1/4" tempered glass included, 1" thermoseal glass optional
- Optional tilt window
- Hot-dipped galvanized or powder-coated colour finish
- Custom sizes available
- Easy-to-use spring latch



Silver Series Dutch Window

Includes: Frame, 1/4" tempered glass, grill, latch, and two adjustable hinges. Based on a 36" x 36" RSO.

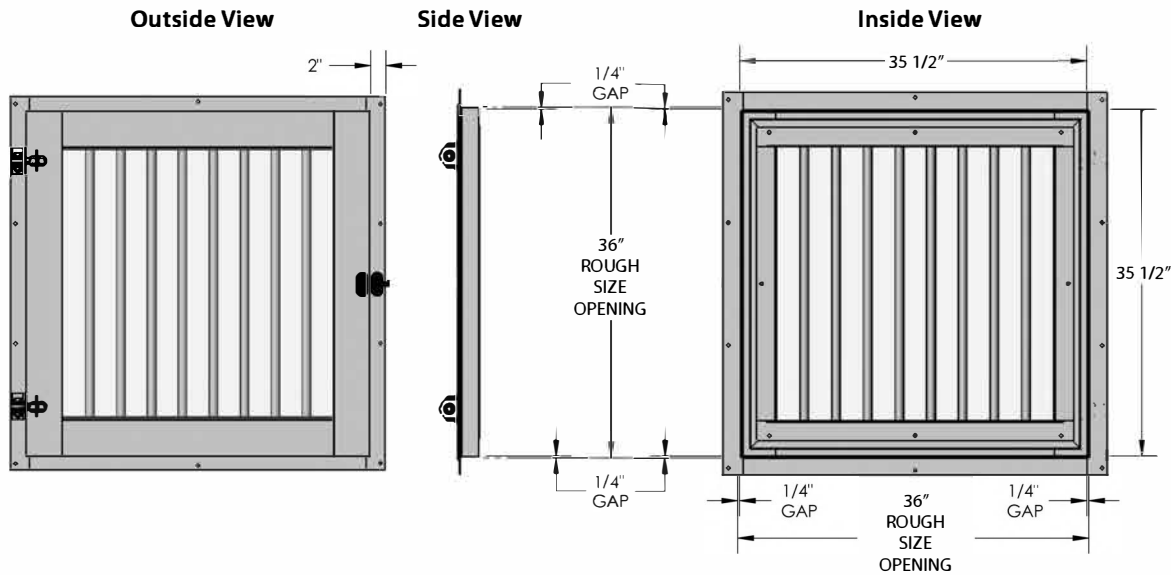
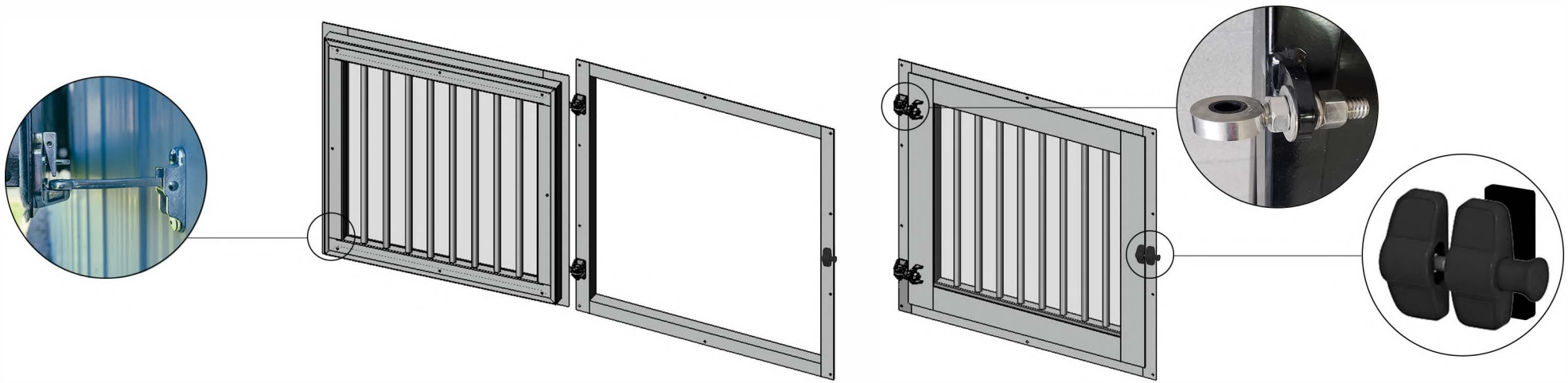


Gold Series Dutch Window

Includes: Frame, 1/4" tempered glass, grill, latch, two adjustable hinges, and window screen. Based on a 36" x 36" RSO.



SILVER SERIES BARN DUTCH WINDOW



RSO: 36" x 36" Custom: _____	Finish: Galvanized Black Powder Coated Paint	Custom Powder Coated Paint Colour: _____	Glass: 1/4" Tempered 1" Thermosteal	1" Thermosteal w/Muntins (Choose options next)
# of Muntins: 12 (For windows w/muntins) Other: _____	Colour of Muntins: Black (For windows w/muntins) Brown	White	Inside Grill: Fixed None	Notes:



PROPRIETARY AND CONFIDENTIAL
 THIS DIAGRAM IS SENT AS A COURTESY TO OUR CLIENTS AND IS A COPYRIGHTED AND PROPRIETARY DESIGN OWNED BY SYSTEM FENCING LIMITED. PHOTOCOPIING OR REPRODUCTION OF ANY KIND WITHOUT THE WRITTEN CONSENT OF SYSTEM FENCING LIMITED IS PROHIBITED.
 BY SIGNING, THE BUYER, REPRESENTATIVE OF THE BUYER, OR CONTRACTOR TAKES FULL RESPONSIBILITY FOR THE DIMENSIONS ON THIS FORM. ANY CHANGES PRIOR TO FABRICATION MUST BE MADE IN WRITING. ANY CHANGES MADE AFTER FABRICATION HAS BEGUN WILL BE BILLED BACK AT THE LIST PRICE OF ANY ITEMS THAT WERE FABRICATED AT THE TIME OF THE CHANGE

SILVER SERIES BARN DUTCH WINDOW

CUSTOMER: _____

SALES: _____

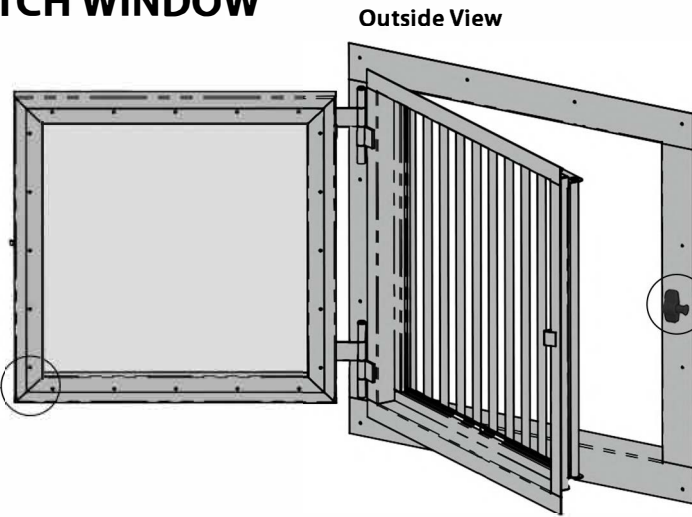
CUSTOMER SIGNATURE: _____

DATE: _____

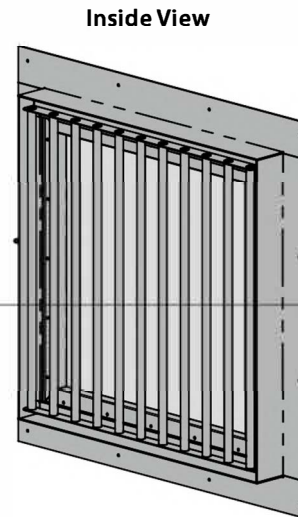
SYSTEMEQUINE.COM • 1 (800) 461-3362

REVISED 08/20

GOLD SERIES BARN DUTCH WINDOW



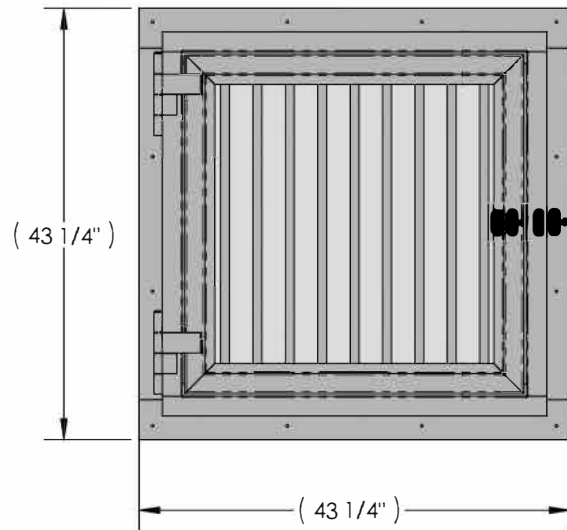
Outside View



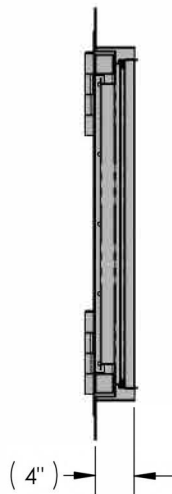
Inside View



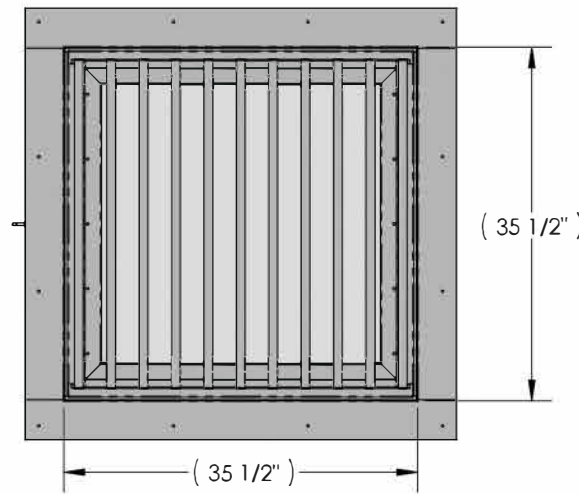
Outside View



Side View



Inside View



Optional Muntins



RSO:	36" x 36"	Finish:	Galvanized	Custom Powder Coated	Glass:	1/4" Tempered	1" Thermo seal w/Muntins				
	Custom: _____		Black Powder Coated Paint			Paint Colour: _____		1" Thermo seal	(Choose options next)		
# of Muntins:	12	Colour of Muntins:	Black	White	Inside Grill:	Fixed	None	Outside Grill:	Fixed	None	Screen:
(For windows w/muntins)	Other: _____	(For windows w/muntins)	Brown			Opening			Opening		



PROPRIETARY AND CONFIDENTIAL
 THIS DIAGRAM IS SENT AS A COURTESY TO OUR CLIENTS AND IS A COPYRIGHTED AND PROPRIETARY DESIGN OWNED BY SYSTEM FENCING LIMITED. PHOTOCOPIING OR REPRODUCTION OF ANY KIND WITHOUT THE WRITTEN CONSENT OF SYSTEM FENCING LIMITED IS PROHIBITED.
 BY SIGNING, THE BUYER, REPRESENTATIVE OF THE BUYER, OR CONTRACTOR TAKES FULL RESPONSIBILITY FOR THE DIMENSIONS ON THIS FORM. ANY CHANGES PRIOR TO FABRICATION MUST BE MADE IN WRITING. ANY CHANGES MADE AFTER FABRICATION HAS BEGUN WILL BE BILLED BACK AT THE LIST PRICE OF ANY ITEMS THAT WERE FABRICATED AT THE TIME OF THE CHANGE

GOLD SERIES BARN DUTCH WINDOW

CUSTOMER: _____

SALES: _____

CUSTOMER SIGNATURE:

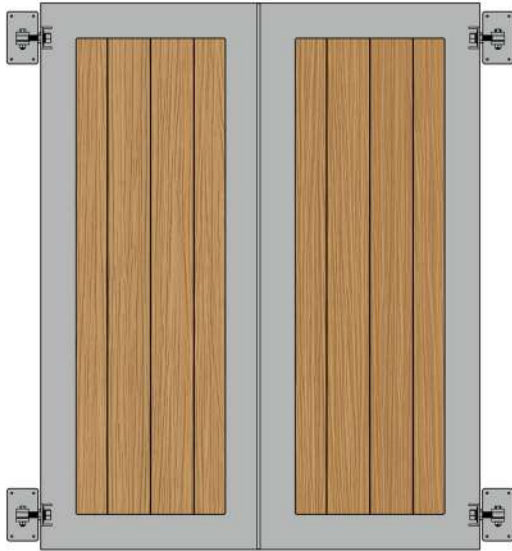
X _____ DATE: _____

SYSTEMEQUINE.COM • 1 (800) 461-3362

REVISED 08/20

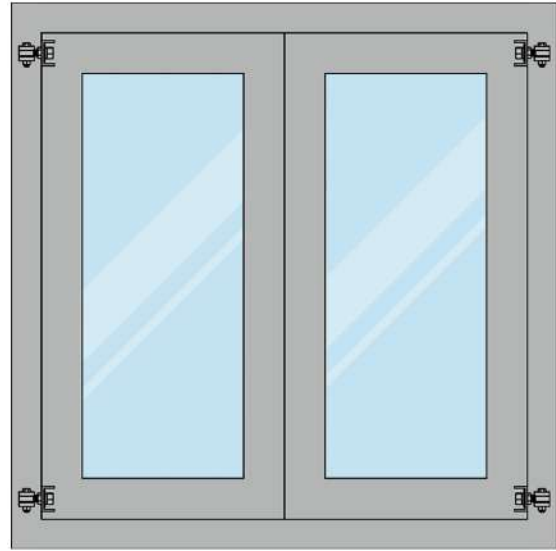
Shutter Windows

- Can be a vital addition to any barn
- Designed for easy operation
- Added ventilation and socialization
- Includes heavy duty frame to minimize shifting and warping
- Adjustable hinges
- 1/4" tempered glass included, 1" thermoseal glass optional
- Optional tilt window
- Hot-dipped galvanized or powder-coated colour finish
- Custom sizes available
- Easy-to-use spring latch



South Shutter Window

Includes: Frame, 1/4" tempered glass, grill, latch, and four adjustable hinges. Based on a 36" x 36" RSO.



North Shutter Window

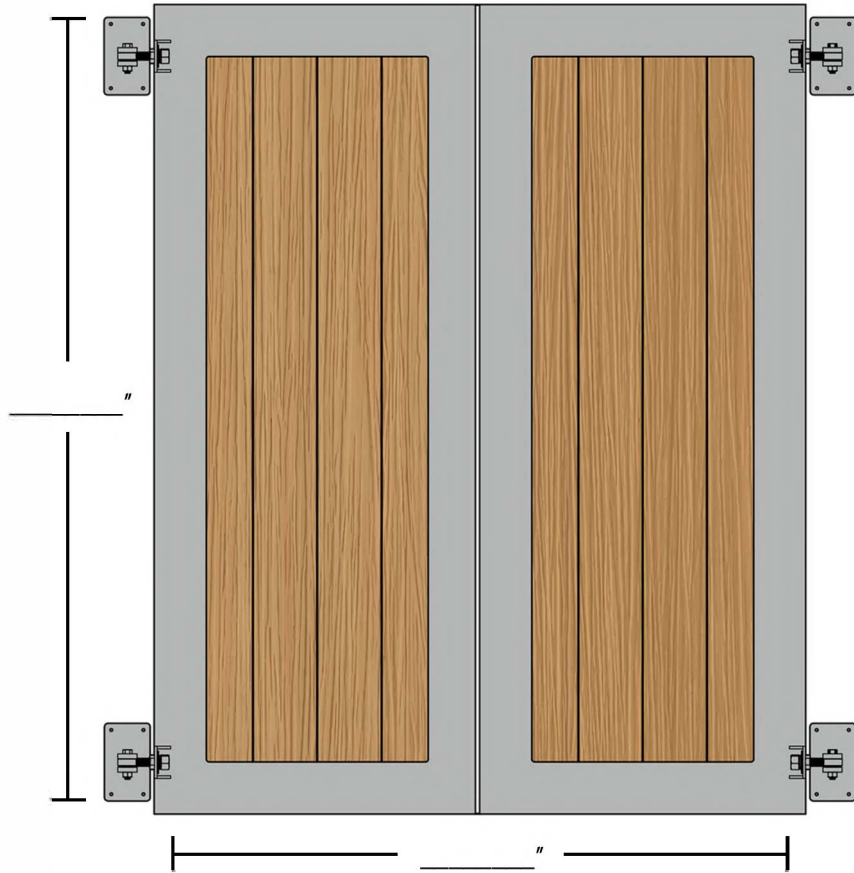
Includes: Frame, 1/4" tempered glass, grill, latch, four adjustable hinges, and window screen. Based on a 36" x 36" RSO.

Pictures

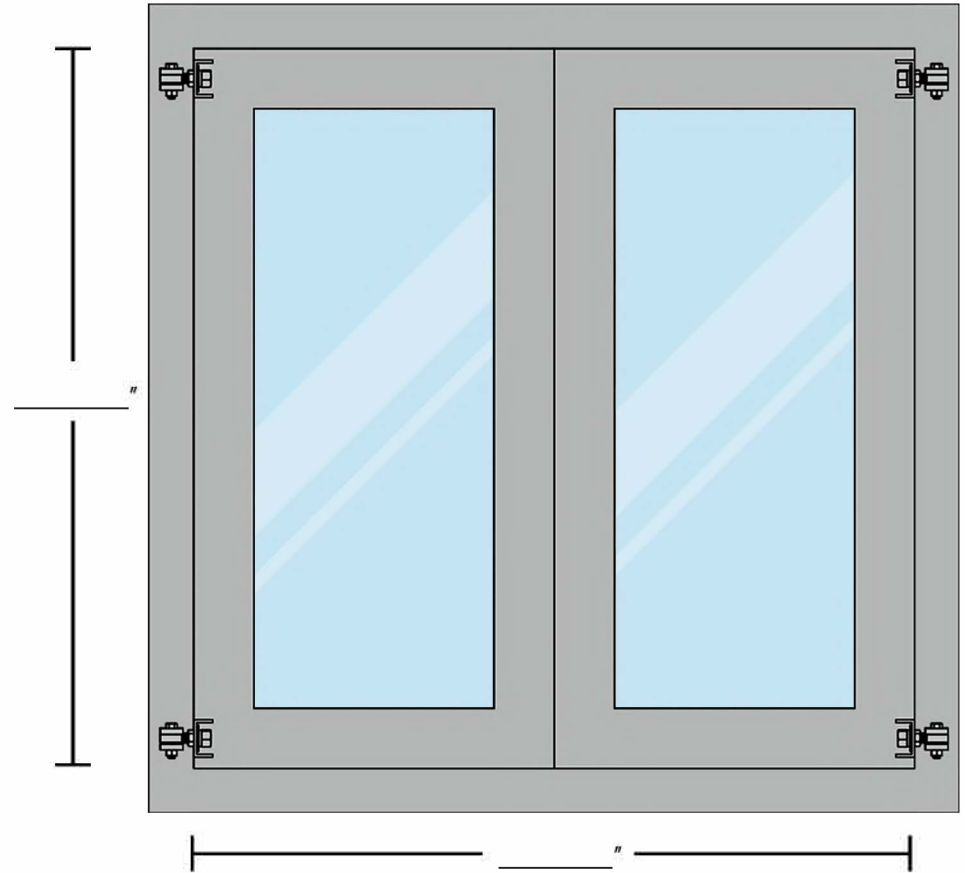


SHUTTER WINDOWS

Version 1



Version 2



Version:	1	RSO:	36" x 36"	Finish:	Galvanized	Custom Powder Coated
	2		Custom: _____		Black Powder Coated Paint	

Fill:	None / DIY	Steel Cladding (25 colours): _____	1/4" Tempered Glass	1" Thermoseal w/Muntins	# of Muntins: _____ (For windows w/muntins)
	T & G Ash	White FRP Inserts (customer can paint any colour)	1" Thermoseal Glass	(Choose options next)	

Colour of Muntins: (For windows w/muntins)	Black	White	Notes:
	Brown		



PROPRIETARY AND CONFIDENTIAL
 THIS DIAGRAM IS SENT AS A COURTESY TO OUR CLIENTS AND IS A COPYRIGHTED AND PROPRIETARY DESIGN OWNED BY SYSTEM FENCING LIMITED. PHOTOCOPIING OR REPRODUCTION OF ANY KIND WITHOUT THE WRITTEN CONSENT OF SYSTEM FENCING LIMITED IS PROHIBITED.
 BY SIGNING, THE BUYER, REPRESENTATIVE OF THE BUYER, OR CONTRACTOR TAKES FULL RESPONSIBILITY FOR THE DIMENSIONS ON THIS FORM. ANY CHANGES PRIOR TO FABRICATION MUST BE MADE IN WRITING. ANY CHANGES MADE AFTER FABRICATION HAS BEGUN WILL BE BILLED BACK AT THE LIST PRICE OF ANY ITEMS THAT WERE FABRICATED AT THE TIME OF THE CHANGE

SHUTTER WINDOWS

CUSTOMER: _____

SALES: _____

CUSTOMER SIGNATURE: _____

X _____ DATE: _____

SYSTEMEQUINE.COM • 1 (800) 461-3362

REVISED 08/20

Grills & Yokes

Our windows will allow your horse air, light and socialization with the outside world. Tempered glass is always suggested for your windows as it is strong, scratch-resistant, and designed to crumble into small granular chunks when broken which is less likely to cause injury. Window grills installed in the interior of your barn will protect against any potential damage. Regardless of whether you choose a sash window, transom window, or some other custom barn design it is important that the interior of the window have a protective grill if it's within reach of horses. We manufacture grills with 7/8" tubing on 3 1/4" centers for the safest and strongest solution to protect your investments. Window yokes are also available for open concept and applications where the window will remain open for the majority of the year.

First measure your rough size opening. You can choose from standard sizing or custom RSO and finishing is available in powder coating or galvanized. Next, choose the style of grill that will meet your needs for the function of the barn. Fixed, opening, and custom grills are all available for ease in cleaning and to fit the needs and style of every horse and every barn.

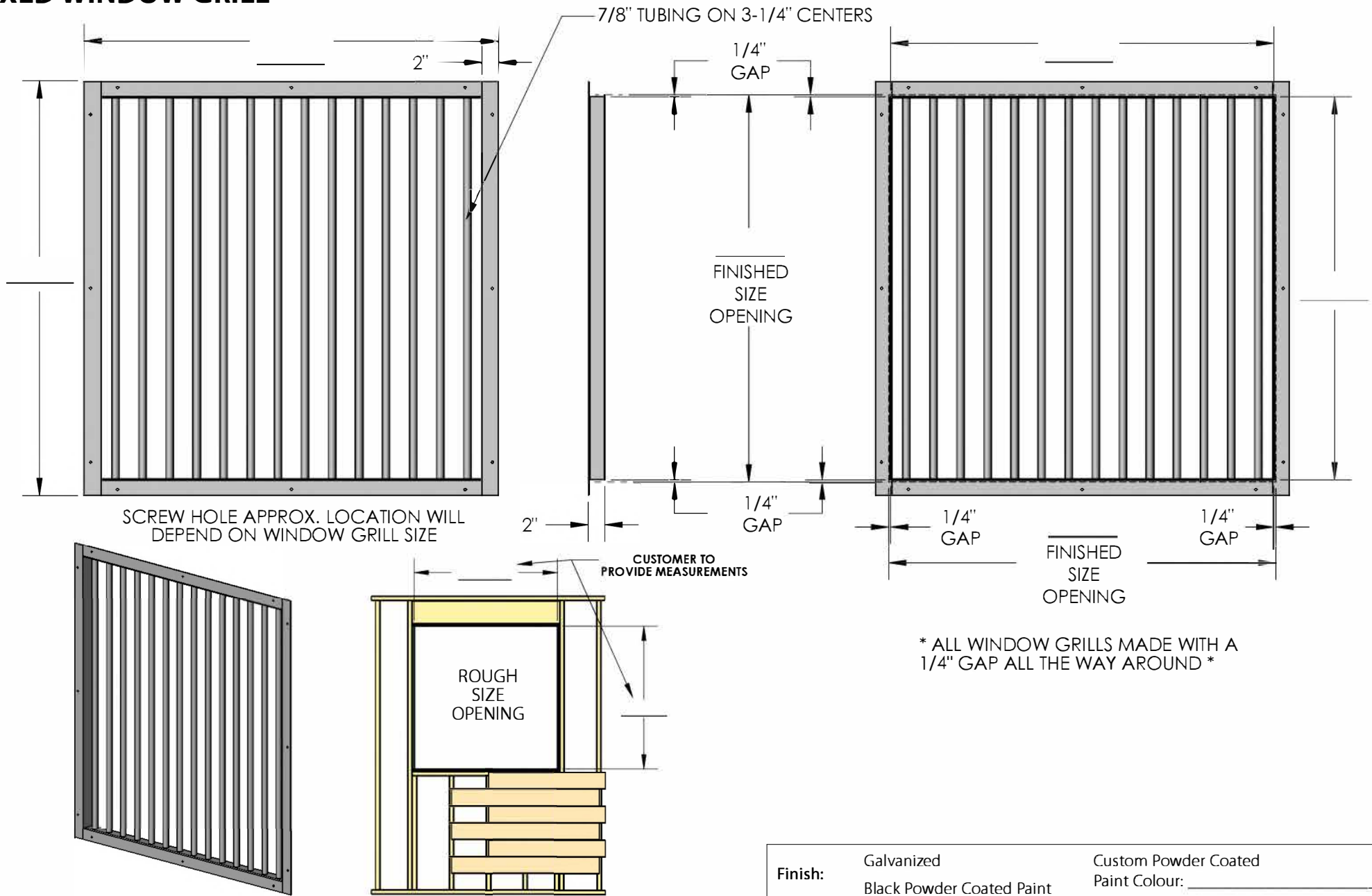
Grill Pictures



Yoke Pictures



FIXED WINDOW GRILL



Finish:	Galvanized	Custom Powder Coated
	Black Powder Coated Paint	Paint Colour: _____



PROPRIETARY AND CONFIDENTIAL
 THIS DIAGRAM IS SENT AS A COURTESY TO OUR CLIENTS AND IS A COPYRIGHTED AND PROPRIETARY DESIGN OWNED BY SYSTEM FENCING LIMITED. PHOTOCOPIING OR REPRODUCTION OF ANY KIND WITHOUT THE WRITTEN CONSENT OF SYSTEM FENCING LIMITED IS PROHIBITED.
 BY SIGNING, THE BUYER, REPRESENTATIVE OF THE BUYER, OR CONTRACTOR TAKES FULL RESPONSIBILITY FOR THE DIMENSIONS ON THIS FORM. ANY CHANGES PRIOR TO FABRICATION MUST BE MADE IN WRITING. ANY CHANGES MADE AFTER FABRICATION HAS BEGUN WILL BE BILLED BACK AT THE LIST PRICE OF ANY ITEMS THAT WERE FABRICATED AT THE TIME OF THE CHANGE

FIXED WINDOW GRILL

CUSTOMER: _____

CUSTOMER SIGNATURE:

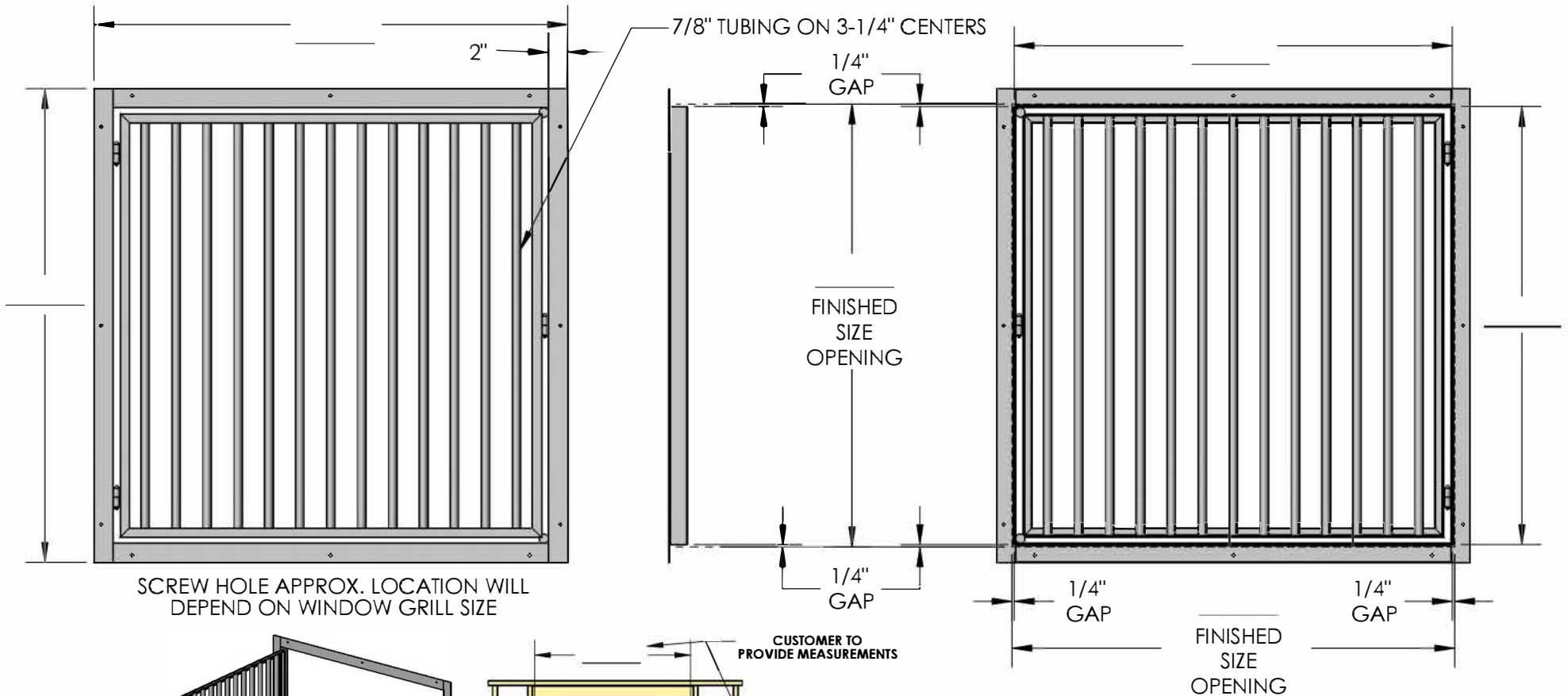
SALES: _____

X _____ DATE: _____

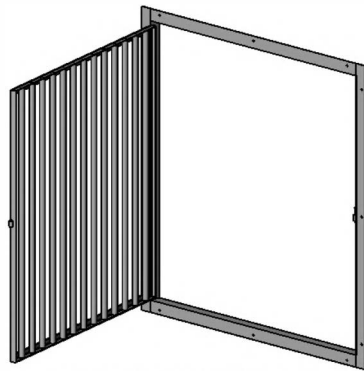
SYSTEMEQUINE.COM • 1 (800) 461-3362

REVISED 08/20

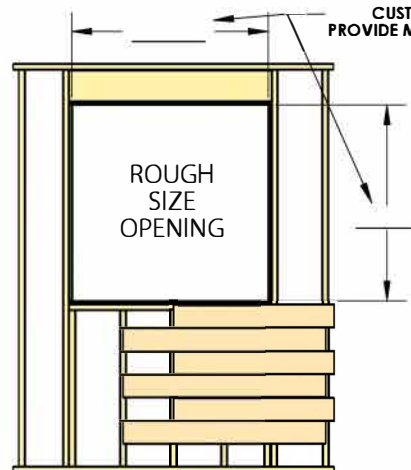
OPENING WINDOW GRILL



* ALL WINDOW GRILLS MADE WITH A 1/4" GAP ALL THE WAY AROUND *



GRILLS OPEN 90 DEG. MAX.
(FULLY OPENING GRILLS AVAILABLE ON REQUEST)



Finish:	Galvanized	Custom Powder Coated
	Black Powder Coated Paint	Paint Colour: _____



PROPRIETARY AND CONFIDENTIAL
THIS DIAGRAM IS SENT AS A COURTESY TO OUR CLIENTS AND IS A COPYRIGHTED AND PROPRIETARY DESIGN OWNED BY SYSTEM FENCING LIMITED. PHOTOCOPIING OR REPRODUCTION OF ANY KIND WITHOUT THE WRITTEN CONSENT OF SYSTEM FENCING LIMITED IS PROHIBITED.
BY SIGNING, THE BUYER, REPRESENTATIVE OF THE BUYER, OR CONTRACTOR TAKES FULL RESPONSIBILITY FOR THE DIMENSIONS ON THIS FORM. ANY CHANGES PRIOR TO FABRICATION MUST BE MADE IN WRITING. ANY CHANGES MADE AFTER FABRICATION HAS BEGUN WILL BE BILLED BACK AT THE LIST PRICE OF ANY ITEMS THAT WERE FABRICATED AT THE TIME OF THE CHANGE

OPENING WINDOW GRILL

CUSTOMER: _____

SALES: _____

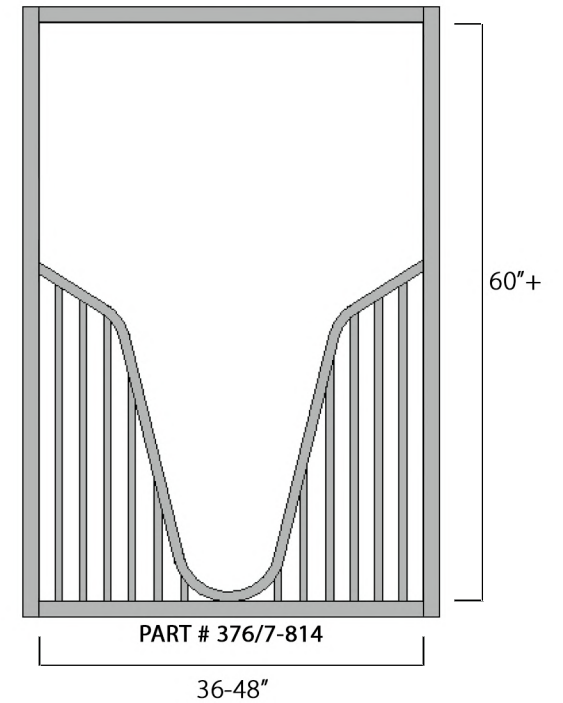
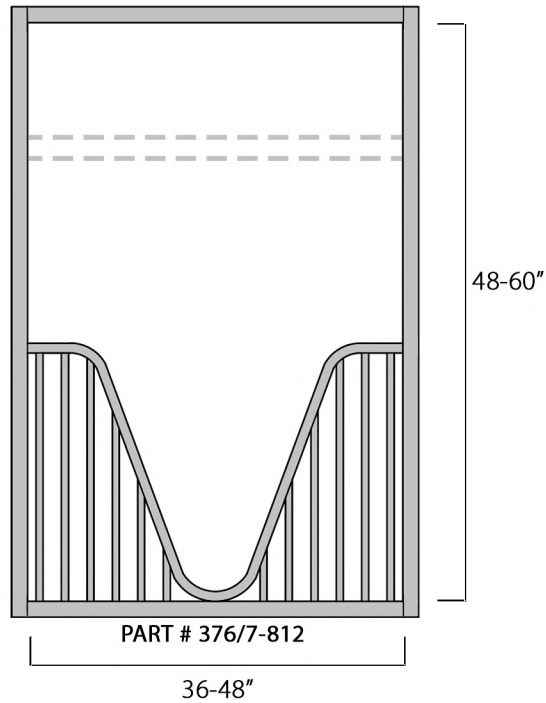
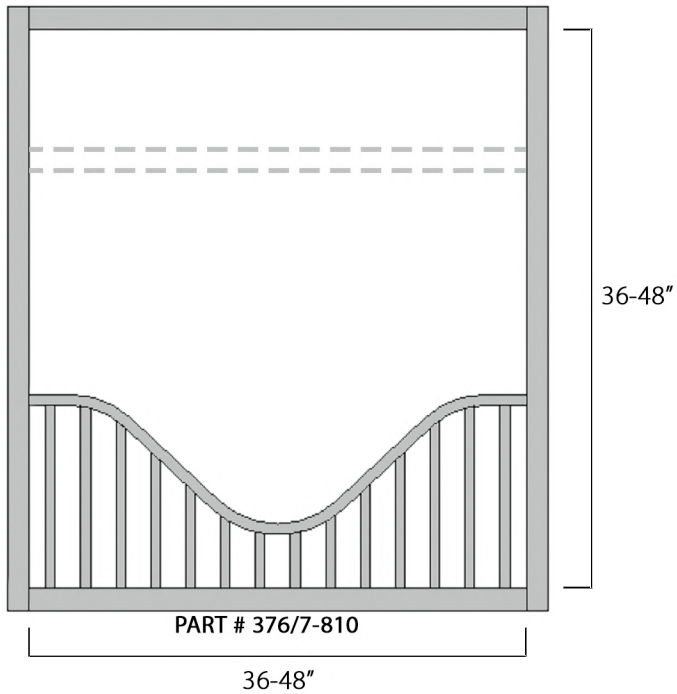
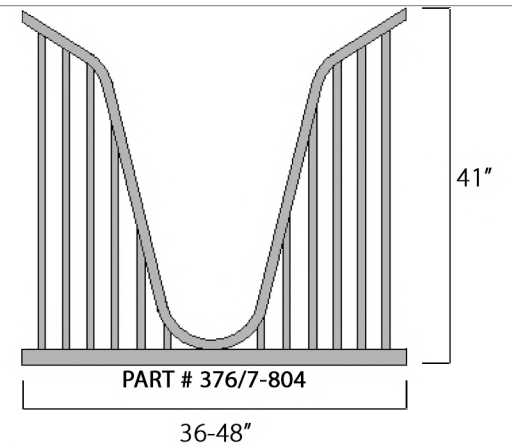
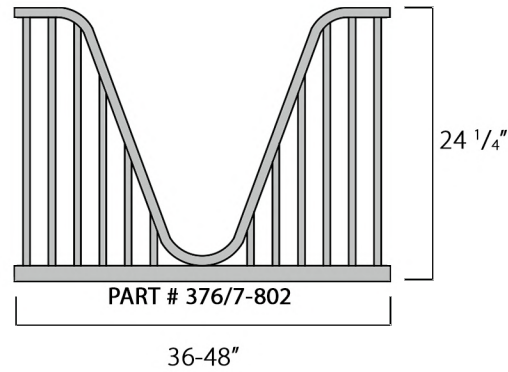
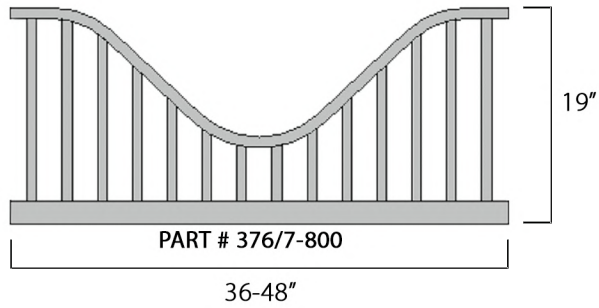
CUSTOMER SIGNATURE: _____

X _____ DATE: _____

SYSTEMEQUINE.COM • 1 (800) 461-3362

REVISED 08/20

WINDOW YOKES



Style: Low (Left) High (Right) Mid (Center) Frame: No Frame Frame RSO (Custom charge if yoke is changed or RSO is outside measurements listed): _____

Finish: Galvanized Custom Powder Coated
 Black Powder Coated Paint Paint Colour: _____

Notes: _____



PROPRIETARY AND CONFIDENTIAL
 THIS DIAGRAM IS SENT AS A COURTESY TO OUR CLIENTS AND IS A COPYRIGHTED AND PROPRIETARY DESIGN OWNED BY SYSTEM FENCING LIMITED. PHOTOCOPIING OR REPRODUCTION OF ANY KIND WITHOUT THE WRITTEN CONSENT OF SYSTEM FENCING LIMITED IS PROHIBITED.
 BY SIGNING, THE BUYER, REPRESENTATIVE OF THE BUYER, OR CONTRACTOR TAKES FULL RESPONSIBILITY FOR THE DIMENSIONS ON THIS FORM. ANY CHANGES PRIOR TO FABRICATION MUST BE MADE IN WRITING. ANY CHANGES MADE AFTER FABRICATION HAS BEGUN WILL BE BILLED BACK AT THE LIST PRICE OF ANY ITEMS THAT WERE FABRICATED AT THE TIME OF THE CHANGE

PART # 376/377-8 CUSTOMER: _____
 SALES: _____
 CUSTOMER SIGNATURE: _____
 X _____ DATE: _____
 SYSTEMEQUINE.COM • 1 (800) 461-3362 REVISED 03/22