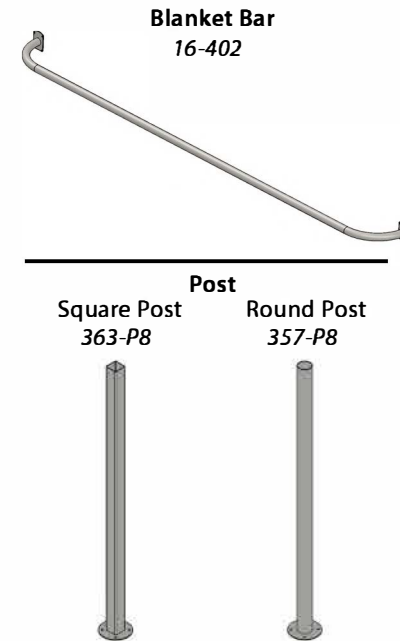
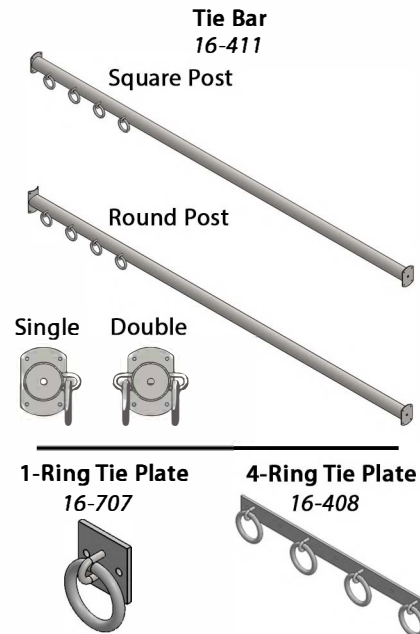
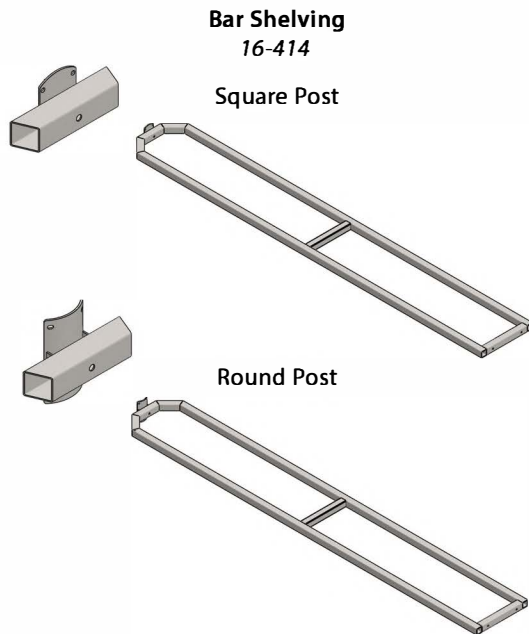
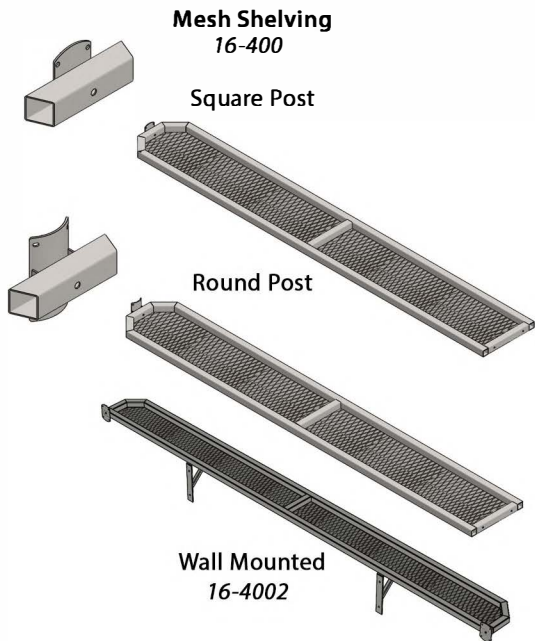


WASH STALL COMPONENTS



Mesh Shelving:	Square Post Round Post	Wall Mounted	10' 12'	Custom: _____	Galvanized Black Powder Coated Paint	Custom Powder Coated Paint Colour: _____	
Bar Shelving:	Square Post Round Post		10' 12'	Custom: _____	Galvanized Black Powder Coated Paint	Custom Powder Coated Paint Colour: _____	Qty: _____
Single Tie Bar:	Square Post Round Post		10' 12'	Custom: _____	Galvanized Black Powder Coated Paint	Custom Powder Coated Paint Colour: _____	Qty: _____
Double Tie Bar:	Square Post Round Post		10' 12'	Custom: _____	Galvanized Black Powder Coated Paint	Custom Powder Coated Paint Colour: _____	Qty: _____
Post:	Square Post Round Post				Galvanized Black Powder Coated Paint	Custom Powder Coated Paint Colour: _____	Qty: _____
Blanket Bar:	6' 10' 8'				Galvanized Black Powder Coated Paint	Custom Powder Coated Paint Colour: _____	Qty: _____
Tie Plate:	1-Ring 4-Ring				Galvanized Black Powder Coated Paint	Custom Powder Coated Paint Colour: _____	Qty: _____



PROPRIETARY AND CONFIDENTIAL
THIS DIAGRAM IS SENT AS A COURTESY TO OUR CLIENTS AND IS A COPYRIGHTED AND PROPRIETARY DESIGN OWNED BY SYSTEM FENCING LIMITED. PHOTOCOPIING OR REPRODUCTION OF ANY KIND WITHOUT THE WRITTEN CONSENT OF SYSTEM FENCING LIMITED IS PROHIBITED.
BY SIGNING, THE BUYER, REPRESENTATIVE OF THE BUYER, OR CONTRACTOR TAKES FULL RESPONSIBILITY FOR THE DIMENSIONS ON THIS FORM. ANY CHANGES PRIOR TO FABRICATION MUST BE MADE IN WRITING. ANY CHANGES MADE AFTER FABRICATION HAS BEGUN WILL BE BILLED BACK AT THE LIST PRICE OF ANY ITEMS THAT WERE FABRICATED AT THE TIME OF THE CHANGE

WASH STALL COMPONENTS

CUSTOMER SIGNATURE:

x _____

SYSTEMEQUINE.COM • 1 (800) 461-3362

CUSTOMER: _____

SALES: _____

DATE: _____

REVISED 08/20