

SolairaTM

XL series



WEATHERPROOF
TECHNOLOGY

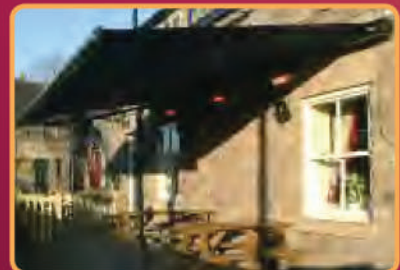


ENERGYSMART
Co²Free!

Solaira XL Series Heaters are engineered as a high output, high efficiency architectural infrared heater. The extruded design and large parabolic reflector provides an attractive, high performance, weatherproof heat source. This series is engineered for both mid and low-clearance installation and are especially well suited for design influenced environments requiring high output. The XL series are also available with integrated lighting so the user can enjoy both heat or light from one appliance, on separate circuits. Solaira XL heaters are ideal for commercial and residential areas such as open air terraces, restaurant hostess and waiting areas, clubs or pubs.



XL with lights, silver



- Certified for outdoor/indoor 'wet' environments
- Safe / Maintenance Free / Odourless
- Scratch resistant epoxy powder coat finish
- Extruded 6061 aircraft aluminum fixture
- Available in 1.5kW, 120V, 1.5 and 2.0kW, 240V
- cCSAus listed and certified to ANSI/UL 1278, UL 2021, ANSI/UL 875 and ANSI/UL 834
- Available in Black or White or Silver/Grey (XL with Lights)

3
year

Fixture *
Warranty

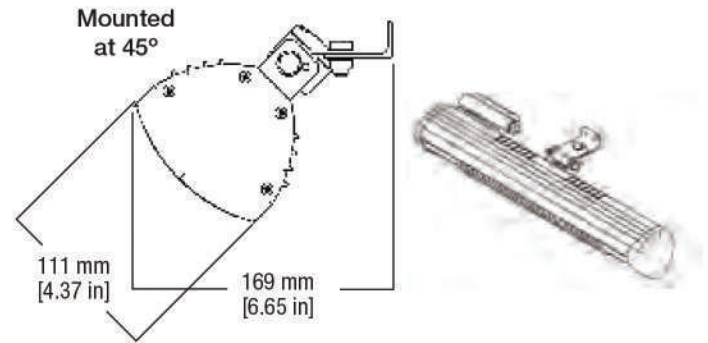
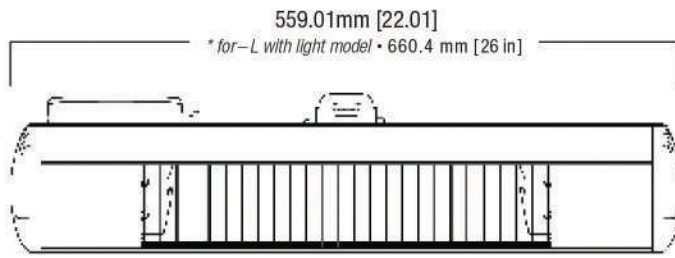
In association with members of:



System Equine • SystemEquine.com • Sales@SystemEquine.com • 1 (800) 461-3362

* Visit local authorized Solaira dealer for details

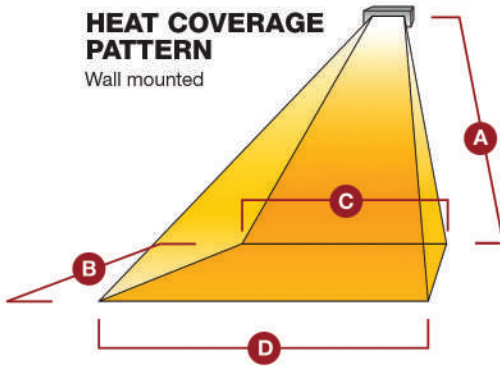
SPECIFICATIONS XL 1.5,2.0kW/240V



All commercial heaters should be installed by a certified electrician to local and state electrical codes

HEAT COVERAGE PATTERN

Wall mounted



HEAT COVERAGE EXAMPLES

Model	A	B	C	D	Heat Zone*	Heat Density*
SCOSYXLAW15120 B/W	6'7"	9	8	11	90 sq. ft.	16 watt/sq. ft.
SCOSYXLAW15240 B/W	6'7"	9	8	11	90 sq. ft.	16 watt/sq. ft.
SCOSYXLAW20240 B/W	8'2"	9	8	11	90 sq. ft.	22 watt/sq. ft.
SCOSYXLAW-L15240 S	6'7"	9	8	11	90 sq. ft.	16 watt/sq. ft.
SCOSYXLAW-L20240 S	8'2"	9	8	11	90 sq. ft.	22 watt/sq. ft.



Solaira variable controllers, timers and occupancy sensors allow you to control precise heat requirements for conditions.

* Heat Zone and actual heat density will vary based on mounting height and angle of heater (Overhead mounted heat zones will be different than this guide). Please use this as a guideline only and contact Solaira for a more detailed specifier guide.

PRODUCT TABLE:

MODEL	COLOR	WATT	VOLT	AMPERE	L x D x H	WEIGHT	REPLACEMENT EMITTER
SCOSYXLAW15120B	BLACK	1.5kW	120V	12.5A	22" X 4.5" X 6.25"	6.2 lbs	SWIREAW15120
SCOSYXLAW15120W	WHITE	1.5kW	120V	12.5A	22" X 4.5" X 6.25"	6.2 lbs	SWIREAW15120
SCOSYXLAW15240B	BLACK	1.5kW	240V	6.25A	22" X 4.5" X 6.25"	6.2 lbs	SWIREAW 15240
SCOSYXLAW15240W	WHITE	1.5kW	240V	6.25A	22" X 4.5" X 6.25"	6.2 lbs	SWIREAW15240
SCOSYXLAW20240B	BLACK	2.0kW	240V	8.33A	22" X 4.5" X 6.25"	6.2 lbs	SWIREAW20240
SCOSYXLAW20240W	WHITE	2.0kW	240V	8.33A	22" X 4.5" X 6.25"	6.2 lbs	SWIREAW20240
SCOSYXLAW-L15240S	SILVER	1.5kW	240V	6.25A	26" X 4.5" X 6.25"	8.4 lbs	SWIREAW15240
SCOSYXLAW-L20240S	SILVER	2.0kW	240V	8.33A	26" X 4.5" X 6.25"	8.4 lbs	SWIREAW20240

NOTE: XL with lights have separate junction box on heater fixture and part number includes -L.

Standard colors listed in table above.

Solaira™



System Equine
 SystemEquine.com
 Sales@SystemEquine.com
 1 (800) 461-3362