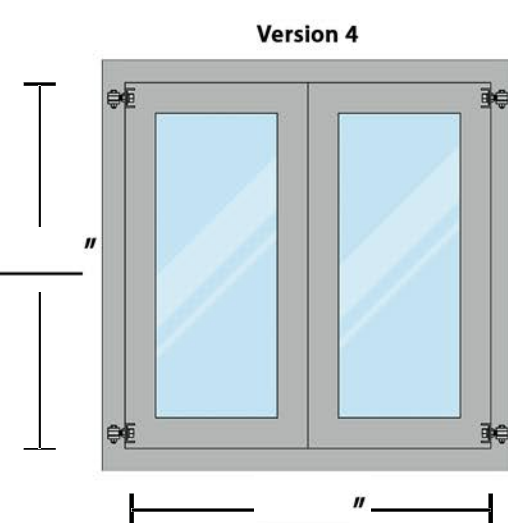
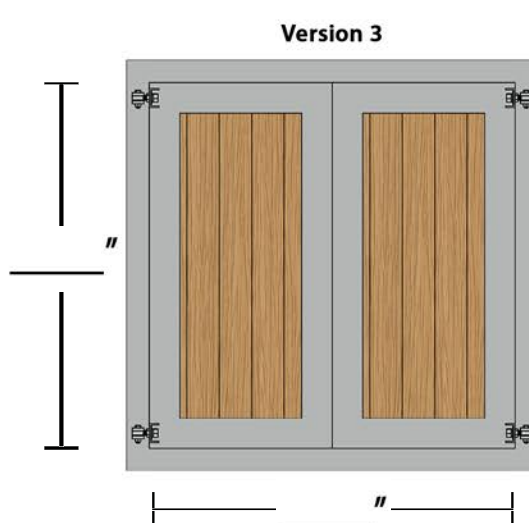
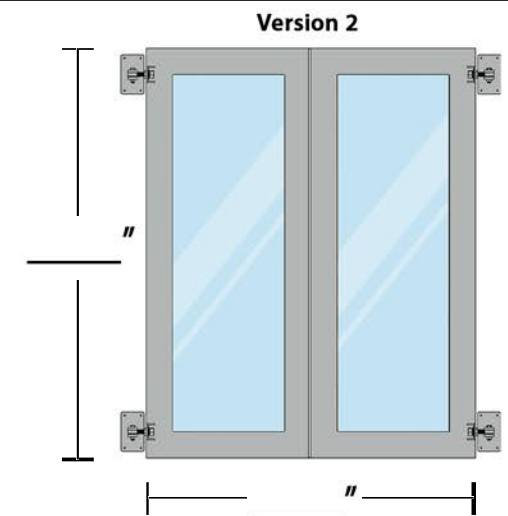
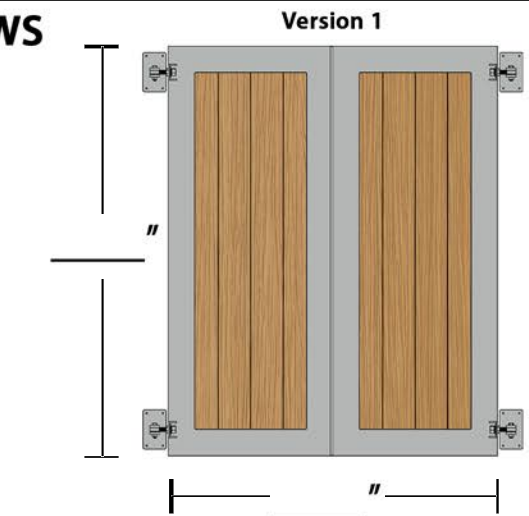


# SHUTTER WINDOWS



<b>Version:</b>	1    3	<b>RSO:</b> 36" x 36"	<b>Finish:</b>	Galvanized	Custom Powder Coated
	2    4			Black Powder Coated Paint	Paint Colour: _____

<b>Fill:</b>	None / DIY	Steel Cladding (25 colours): _____	<sup>3</sup> / <sub>8</sub> " Shatter Resistant Tempered Glass	1" Thermo Shatter Resistant Tempered Glass w/Muntins
	T & G Ash	White FRP Inserts (customer can paint any colour)	1" Thermo Shatter Resistant Tempered Glass	

<b># of Muntins:</b> _____	<b>Colour of Muntins:</b>	Black	White
(For windows w/muntins)	(For windows w/muntins)	Brown	

**Notes:** \_\_\_\_\_



**PROPRIETARY AND CONFIDENTIAL**  
 THIS DIAGRAM IS SENT AS A COURTESY TO OUR CLIENTS AND IS A COPYRIGHTED AND PROPRIETARY DESIGN OWNED BY SYSTEM FENCING LIMITED. PHOTOCOPIING OR REPRODUCTION OF ANY KIND WITHOUT THE WRITTEN CONSENT OF SYSTEM FENCING LIMITED IS PROHIBITED.  
 BY SIGNING, THE BUYER, REPRESENTATIVE OF THE BUYER, OR CONTRACTOR TAKES FULL RESPONSIBILITY FOR THE DIMENSIONS ON THIS FORM. ANY CHANGES PRIOR TO FABRICATION MUST BE MADE IN WRITING. ANY CHANGES MADE AFTER FABRICATION HAS BEGUN WILL BE BILLED BACK AT THE LIST PRICE OF ANY ITEMS THAT WERE FABRICATED AT THE TIME OF THE CHANGE

**SHUTTER WINDOWS**

**CUSTOMER:** \_\_\_\_\_

**SALES:** \_\_\_\_\_

**CUSTOMER SIGNATURE:** \_\_\_\_\_

**DATE:** \_\_\_\_\_

SYSTEMEQUINE.COM • 1 (800) 461-3362

REVISED 08/22