



# HARDWOOD FENCING

*highly visible fence system with an attractive and traditional look*



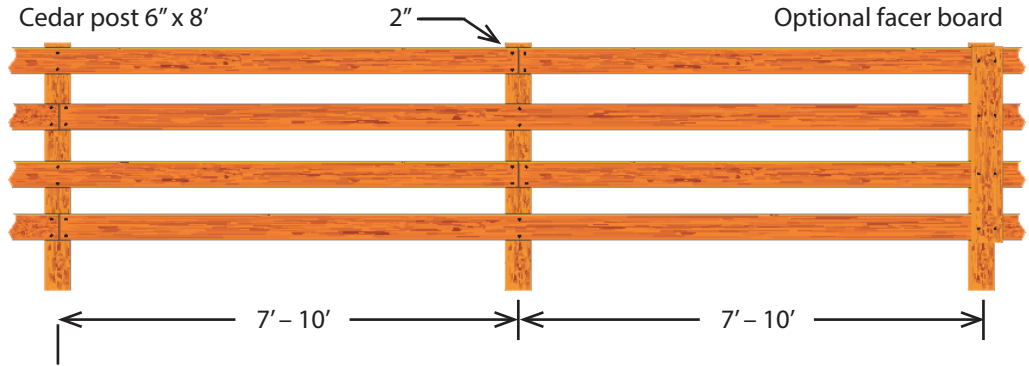
We offer traditional hardwood fencing products by the piece or complete truckload quantities. It is a highly visible fence system with an attractive and traditional look. Don't forget our Fencecoat or Flexcoat paints specifically designed for wood posts and boards.

- Built with custom sawn lumber
- 1" x 6" x 16'
- Used on 6" x 8' cedar posts (or pressure-treated pine posts)
- Spaced 8' apart
- All hardwood is sold green for easy nailing and to limit splitting
- Strong—excellent for high traffic areas
- Leave natural or can be painted
- Long-lasting and aesthetically pleasing

# OAK FENCING

## Square Acreage Guide

1/4 acre	=	417'
1/2 acre	=	590'
3/4 acre	=	722'
1 acre	=	834'
2 acres	=	1182'
3 acres	=	1446'
4 acres	=	1670'
5 acres	=	1867'
6 acres	=	2046'
7 acres	=	2208'
8 acres	=	2361'
9 acres	=	2504'
10 acres	=	2640'
20 acres	=	3732'
50 acres	=	5900'



## OAK QUICK MATERIAL ESTIMATOR

### Posts

$$\text{_____ (Length of Fence)} \div 7.8 = \text{_____ (\# of Posts)}$$

### Oak Boards

$$\text{_____ (Length of Fence)} \times \text{_____ (\# of Rails)} \div 15.5 = \text{_____ (\# of Oak Boards)}$$

**NOTE:** When ordering boards, over estimate by 10%

## INSTALLATION TEAMS

With over 30 years of installation experience, System Equine can help you every step of the way, from planning your layout to working with you to select the best items for your farm needs and budget, and then to sending our certified installation team out to efficiently install your valuable purchase. We offer superior customer service, exceptional product quality, and industry-leading warranties and are confident that you will have a finished product that is second to none.

As the job progresses, we make sure to answer any questions you may have, and then upon completion of the installation, our professional installers will go over it all to show you the proper maintenance required. Our superior installation and product knowledge will give you the security to trust that your new purchase will perform as you need it to for many years to come.



A division of System Fencing Limited®