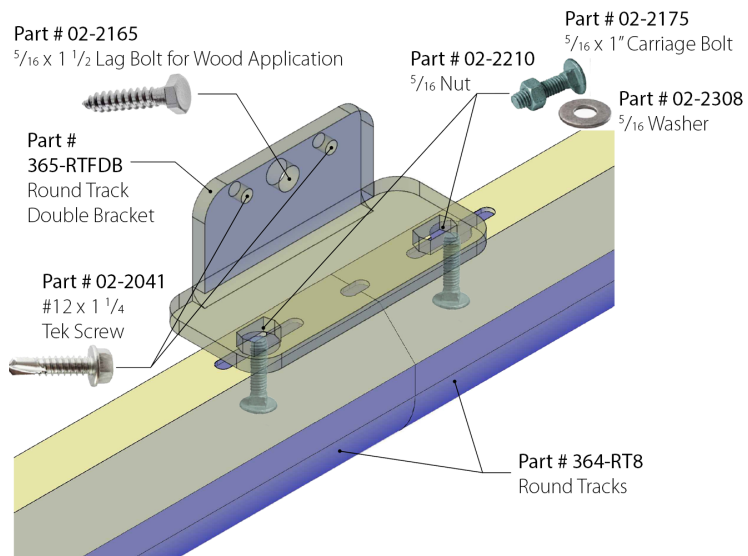


Continuous Track Instructions

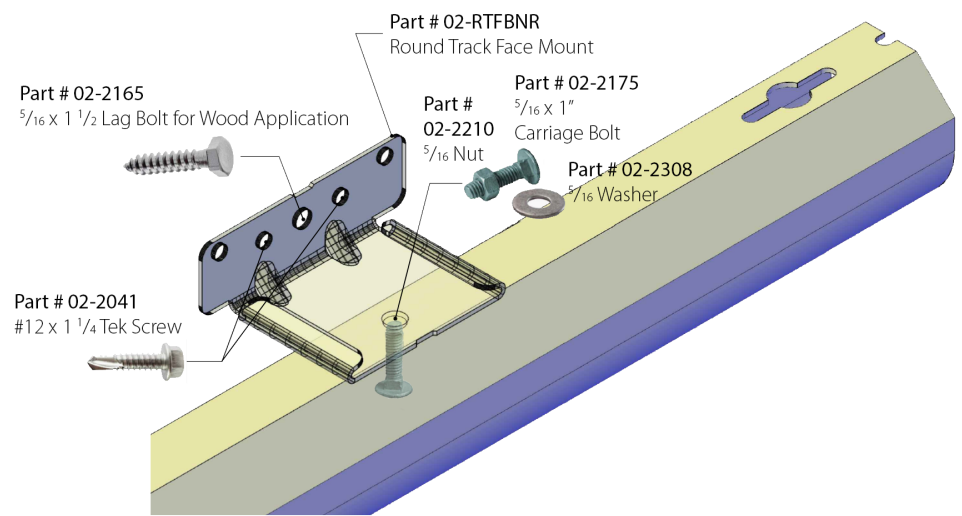
When You are Joining Two Tracks Together

If the track needs to be cut, a $\frac{3}{8}$ " hole will need to be drilled to accept the bolt

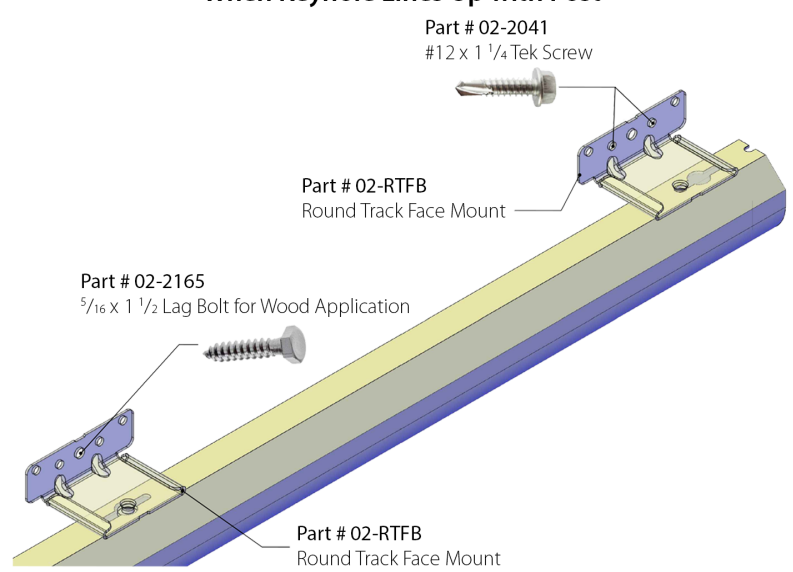


When Keyhole Does Not Line Up with Post

The track will need to be cut and a $\frac{3}{8}$ " hole will need to be drilled for the bolt at the appropriate location



When Keyhole Lines Up with Post



When Track Meets Side Wall

