



Braecrest Stall Series

Assembly & Installation Instructions



14321 Fifth Line Nassagaweya • Rockwood, ON • N0B 2K0
1 (800) 461-3362 • sales@systemequine.com
systemequine.com

Before You Start

NOTE: All measurements are based on finished wood sizes. Example 2" x 6" finished size is 1 ½" x 5 ½"

Questions to Be Answered...

Careful consideration when designing your barn layout will save you time, money, and frustration.

Do you want the horses to see one another?

- Solid partition walls
- Privacy partition walls
- Grilled partition walls

Do you want to have the horses look out the front of the stalls? Are you concerned with ventilation?

- V door
- Full grill v door
- Grill top door
- Full grill door
- Half swing door
- Full swing door

Do you want to be able to feed from outside the stall?

- Swing-out feed door
- Feed opening

What type of latch do you prefer?

- Top latch
- Locking horseshoe latch
- Pin latch

What type of wood are you using? 1 ½" width is the standard thickness of the u-channel.

- Tongue & groove ash
- Square edge ash

QUICK TIP

Standard Braecrest stall sizes are 10' x 10', 12' x 12', and 10' x 12'. Ensure to plan for the future, not just the present.

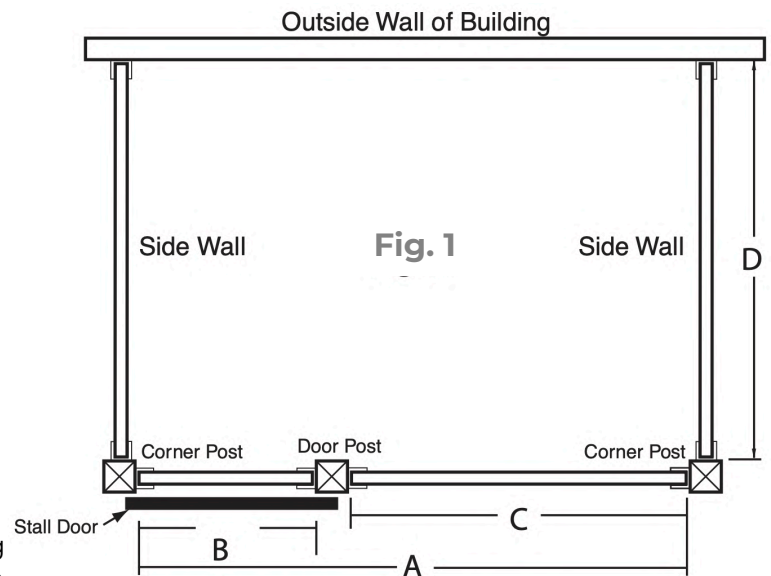
1. Corner posts can be set 10' or 12' (or any other spacing as desired) on center to fit building design or special needs. The grill length (see C in Fig. 1) of a standard 10' stall front is 65" and 90" for a 12' stall front. (see Fig. 1). However, grill sections can be combined to create any size of stall front you desire.
2. The inside distance between the door posts (B) must be 48". Posts used for the installation may be 6x6, 4x4, or 4x6. If top of posts are not going to be anchored, then a sufficient amount of post should be placed deep enough in the footing to provide adequate holding power (we recommend a 3' depth). In order to determine the length of your grill work you will need to determine the centre to centre distance of the stall that you are building. Minus 48" for the door, minus the actual width of your post twice. E.g. 144" on centre for your stalls minus 48" and assuming you are using 5.5" posts $144 - 48 - 5.5 - 5.5 = 85"$ would be the length of your grill

3. Install the corner posts first followed by the door posts. Ensure all posts are plumb, true, and level.

NOTE: Wall sections that span over 12' long will require a 4" x 4" center support post.

QUICK TIP

The finished size for 2" x 6" dressed lumber is 1 ½" x 5 ½". If choosing tongue & groove, take into account the loss of height due to the tongues & grooves. We recommend using pressure treated wood for the bottom two boards.



Wood Specifications

SECTION	10' STALL	12' STALL
Fronts	8x 2" x 6" x 10' 1x 2" x 6" x 8'	13x 2" x 6" x 10' 1x 2" x 6" x 8'
Grilled partitions	10x 2" x 6" x 10'	10x 2" x 6" x 12'
Solid partitions	18x 2" x 6" x 10'	18x 2" x 6" x 12'
<i>Ash is grade #2 or better. Will be a solid board, will have knots which will be stable, may have splits or cracks in the boards or at the ends not to exceed 1/4" in thickness. Moisture content is 16% or less when supplied. Boards will shrink as they dry out, make sure to include approximately 5% extra material on your order.</i>		
Posts	Three (4x4, 6x6, or 4x6) needed per stall, except when stalls are added next to each other.	

Post Installation



When you auger posts, all posts should be installed with the top at least 8' above the ground. If the posts are not properly secured at the top, they must be buried to a depth of at least 3' to provide adequate stability.

1. Refer to Fig. 1 on page 2 to determine post locations for the size of stall that has been selected.
2. Install the corner posts first, being careful to stay within the distances A and D as given in the chart.
3. Install the door post to distance B to a tolerance of +/- 1/4".

NOTE: Make sure all posts are checked for level on all sides.

4. Dimension C should be treated as the variable dimension if a problem with post location should arise. In this event, it may be necessary to cut some of the grill components.

STALL ARRANGEMENTS USING 3 1/2" X 3 1/2" POSTS

10' STALL FRONT	12' STALL FRONT
A = 116.5"	A = 142.5"
B = 48"	B = 48"
C = 66"	C = 90"
D = 116"	D = 140"



To avoid mistakes, perform each step in the sequence shown.

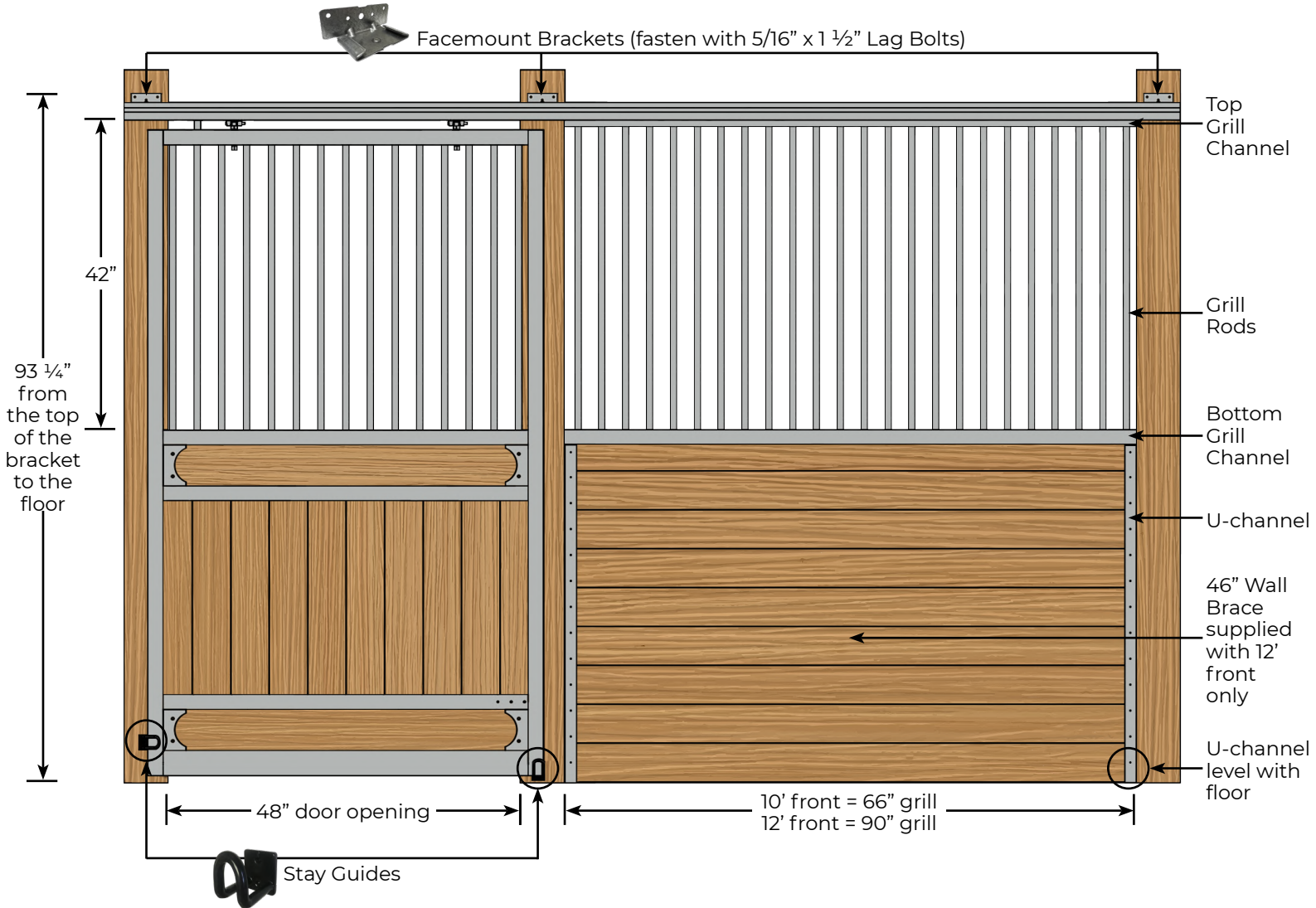


Checking for square: Measure top left to bottom right and repeat for the other corners, measurements should be the same. If they aren't, tap the corner of the longest measurement until you have two equal measurements.



NOTE: Post can be installed in several ways. The most common is to auger the post into the ground (left) or using post anchoring plates to a concrete base (right)

Front Wall Assembly

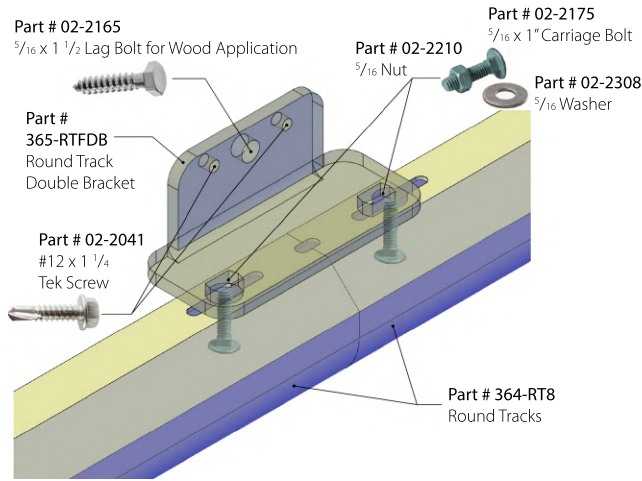


1.
 - a. Install the 46" U-channels on the corner and door posts with the screws provided (channels under grillwork).
 - b. U-channels should be set back 1" from the front face of the posts.
 - c. The u-channels should be level with the floor.
2. Cut all necessary lumber to a length $\frac{1}{4}$ " to $\frac{3}{8}$ " less than the distance measured between the inside faces of the u-channel.
3. Installing the lumber in the U-channels:
 - a. Slide the first board down to the bottom of the U-channel ensuring that it is level (pressure treated lumber can be used for the bottom of the stall wall).
 - b. Firmly secure the bottom board with the screws provided before installing the remaining boards.
4. Install all remaining boards ensuring that they come to a height of $1\frac{1}{8}$ " above the top of the u-channels. It may be required to rip cut a board to achieve the correct height.
5. Slide the grill brackets into the top of the grill work. Lift the grillwork into place on top of the U-channel wall of wood. The grill should sit down on the wood and be on top of the outside 46" U-channels.
6. Level the grill work horizontally and vertically. The top grill brackets are to be slid out to the wood or steel post and screwed into place.
7. Finish screwing in the balance of the screws.

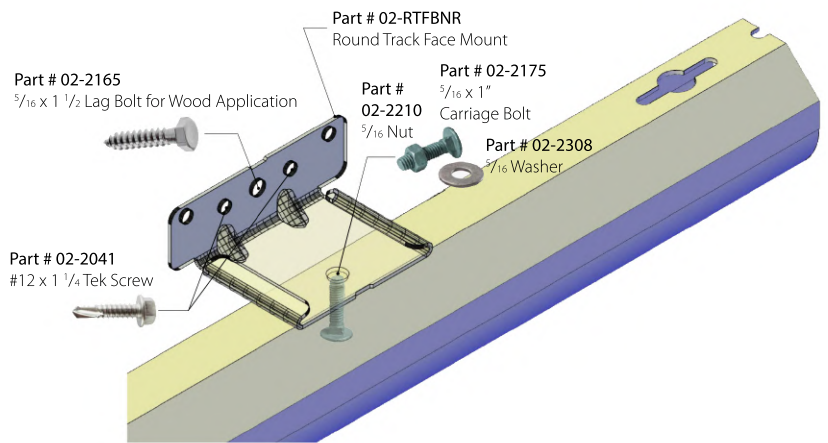


Continuous Track Assembly

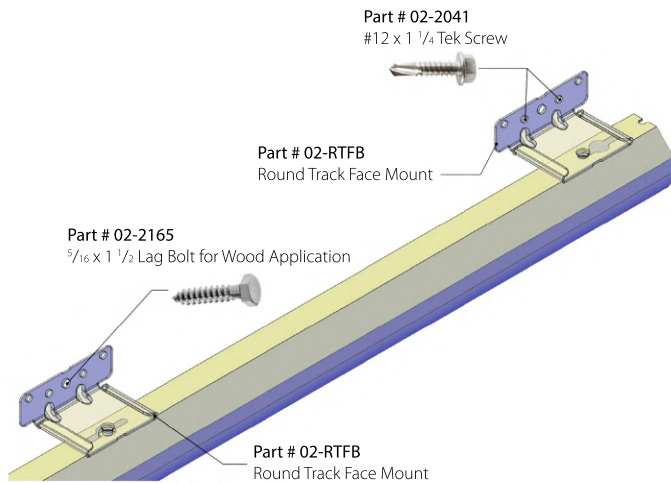
When You are Joining Two Tracks Together
If the track needs to be cut, a $\frac{3}{8}$ " hole will need to be drilled to accept the bolt



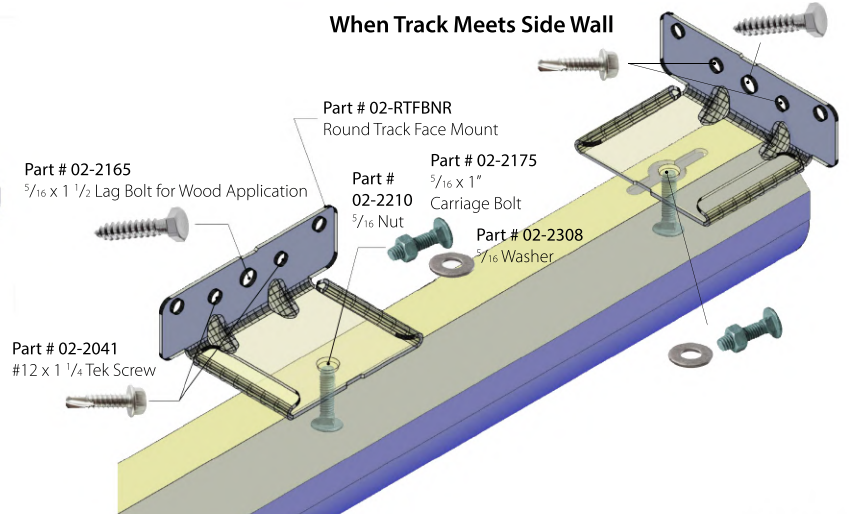
When Keyhole Does Not Line Up with Post
The track will need to be cut and a $\frac{3}{8}$ " hole will need to be drilled for the bolt at the appropriate location



When Keyhole Lines Up with Post



When Track Meets Side Wall



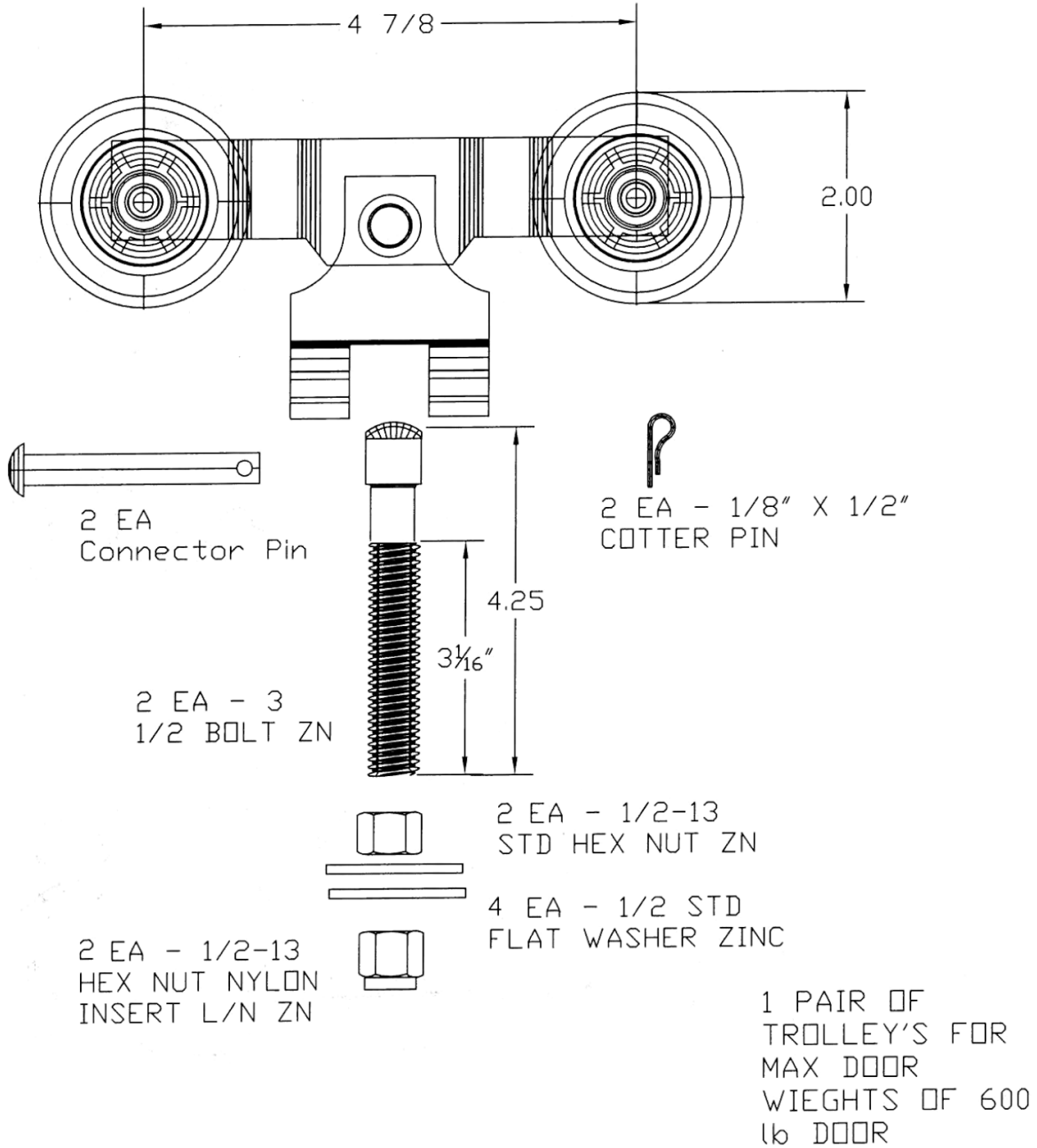
Installing the Trolley Stop

Insert the $\frac{1}{4}$ " x 3" Machine Screw into the pre-punched hole and fasten with the $\frac{1}{4}$ " x 1 $\frac{1}{4}$ " Fender Washer and $\frac{1}{4}$ " Locknut.



Trolley Assembly

1. Assemble Round Track Trolley as per diagram (below).
2. Insert bolt and pre-assembled roller assembly through hole, use flat washer and two hex nuts to secure in place.



Latch Assembly

Springloaded Latch

1. Insert the bar backer plate into the track, and using two of the $\frac{1}{4}$ " x $\frac{3}{4}$ " machine truss head screws, screw the catch into the backer plate.
2. The location of the track catch is when the door is in the full closed position.
3. Once your catch is in the correct position, you will need to stabilize the catch more by using two self-drilling #12 x 1" tek screws.



Horseshoe Latch

1. Install the latch either just below the grill work section with six screws, or if using the decorative flanges install in the middle of the flange.
2. With the door in the closed position, install the catch.
3. Open the horseshoe latch, position the catch $\frac{1}{8}$ " inside of the hook on the horseshoe latch.
4. Holding the catch in place open and close the horseshoe latch to make sure that it freely moves back and forth. Use either lag bolts for wood posts or self-drilling screws for steel posts to fasten the catch.



Pin Latch

1. With the door in the closed position, draw a small line on the post.
2. Open the door so that it is fully open out of the way.
3. With a 1" drill bit, drill into the post at the same angle as the pin latch receiver.
4. Fasten the receiver with the two screws provided.
5. Fasten the pin latch open holder on the door, making sure that it is out of the way of the operation of the pin latch, but close enough for the chain to work properly.

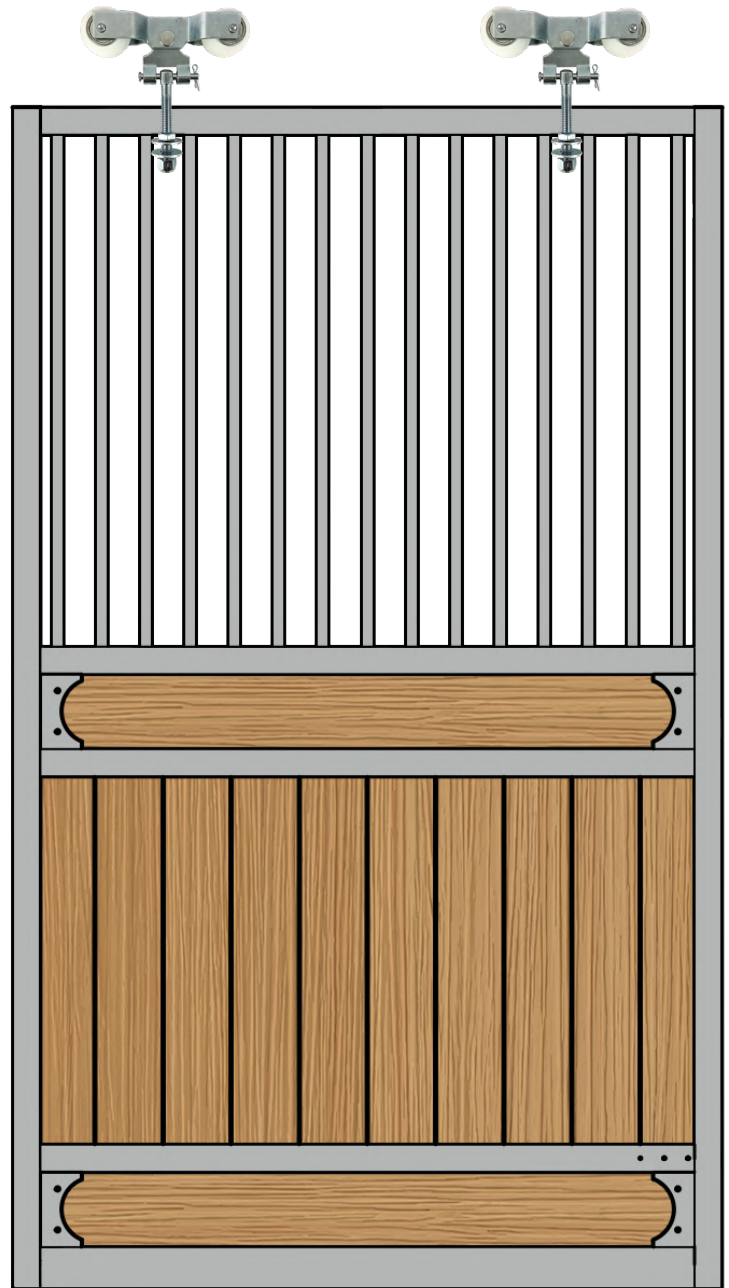


Door Installation

NOTE: If using 3.5" posts, you will find that the facemount brackets will stick out in between the posts. You may choose to hammer the overhanging sections of the brackets back or simply cut off and file down any excess.

DOOR TRACK BRACKET INSTALLATION: See continuous track (see page 5). One track mounting bracket is included in the hardware kit; other brackets will be determined by layout.

1. Measure 93 ¼" from the ground up each stall door post and mark a horizontal line across each post. With help, lift your track so that the top of each facemount bracket lines up with the corresponding line. Attach the brackets with one lag bolt into post. Reinforce with two screws into each hole on either side of the lag (two people are required for this step).
2. With help, lift the door up and maneuver the trolleys into the door track. Leave door at door opening supported by facemount brackets.
3. With the door open and flush with the center door post install the wall bumper to the bottom at the back of the door.
4. Secure stay guide to bottom center of the center door post.
5. Attach the stay guide to the bottom of the corner post approximately ½" off the floor.



Partition Installation

Solid Partition

IDENTIFY THE MATERIALS: 2x 94.5" u-channels, 2x 94.5" wall braces, wall capping (optional)

1. Centre the u-channel on the front post and screw into place using the screws provided.
2. Square up the stall for the back u-channel measure from the end cap to the front u-channel and do the same measurement on the back wall. Stall walls should be parallel to an end or middle wall.
3. Installing the lumber in the u-channels:
 - a. Slide the first board down the u-channels all the way to the floor and make sure it is level.
 - b. Make sure wood is level and screw into place. Stack wood on top making sure to bang boards together and continue to check level.
4. Install wall capping on top of the wall (optional).
5. Install the wall braces on each side of the wall.



Grilled Partition

IDENTIFY THE MATERIALS: 2x 46" u-channels, 2x 46" wall braces, 1x grill work section, 2x grill brackets

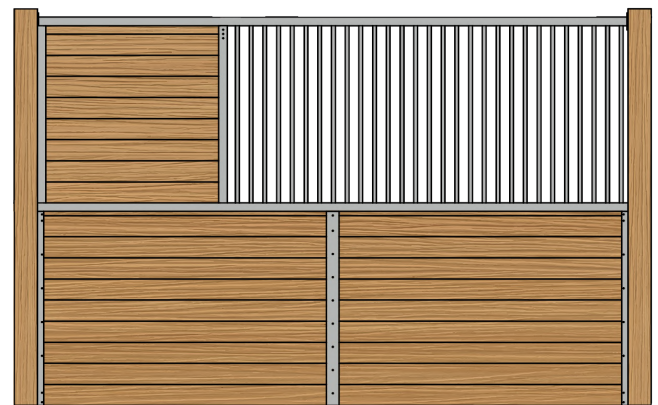
1. Complete all solid partition steps using the 46" u-channels (excluding steps 4-5).
2. Install grill brackets into the end of the top of the grill.
3. Lift the grill into place over the top of the wood wall.
4. Level the grill work horizontally and vertically.
5. Slide the grill brackets out to meet the wall and screw into place.
6. Install the wall braces on each side of the wall.



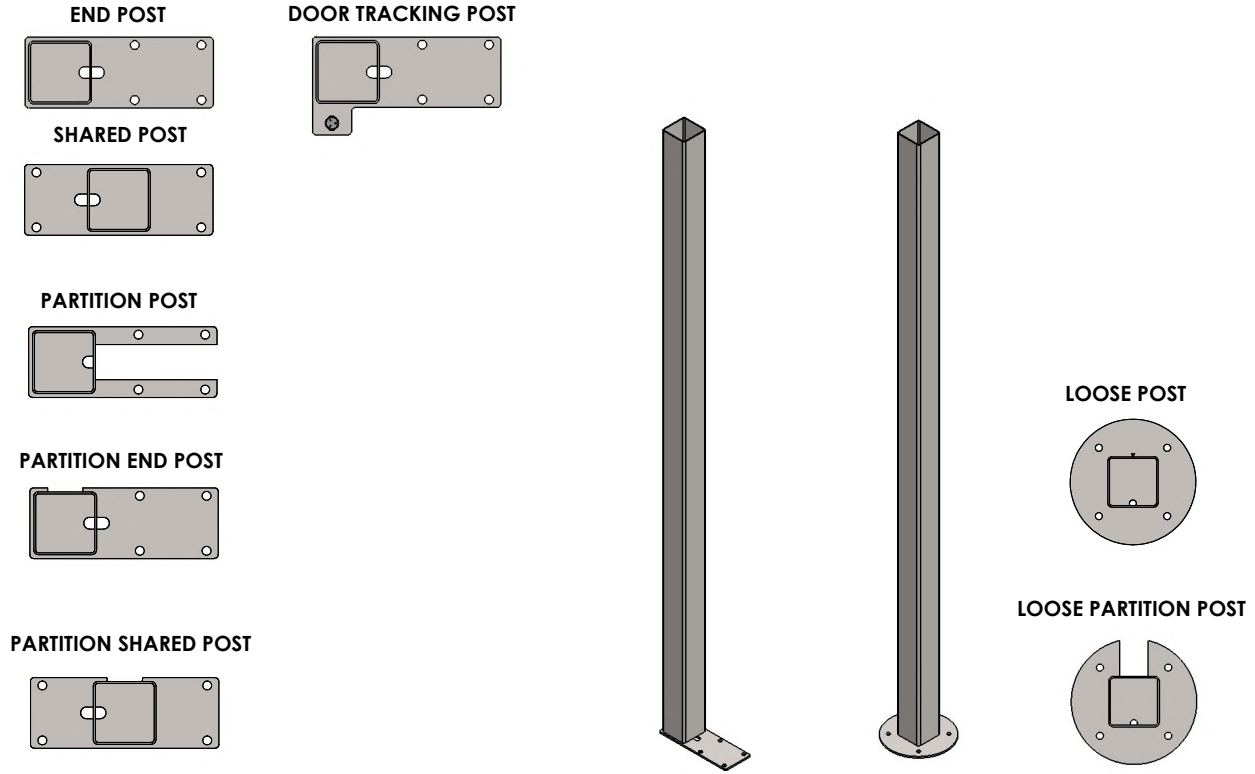
Pivacy Partition

IDENTIFY THE MATERIALS: 2x 46" u-channels, 2x 46" wall braces, 1x grill work section, 2x grill brackets

1. Complete all solid partition steps using the 46" u-channels (excluding steps 4-5).
2. Install grill brackets into the end of the top of the grill.
3. Lift the grill into place over the top of the wood wall.
4. Level the grill work horizontally and vertically.
5. Slide the grill bracket out to meet the wall and screw into place. Attach the u-channel to the other end of the solid part of the grill.
6. Measure and cut the wood for the privacy wall. Slide the wood in to full up the opening. The last board will need the tongue ripped off the board for it to be installed in place.
7. Install the wall braces on each side of the wall.



Square Post Identification



Round Post Identification

