



Full Frame Single Dutch Door Assembly & Installation Instructions



System Equine

14321 Fifth Line Nassagaweya • Rockwood, ON • N0B 2K0

1 (800) 461-3362 • Sales@SystemEquine.com

SystemEquine.com

Full Frame Single Dutch Door Instructions

Before You Get Started

- Read the entire instructions before you begin.
- Wear appropriate safety gear when using saws and drills. This is not limited to, safety glasses, hearing protection, and work gloves.
- Please know that ****STEEL MAY HAVE SHARP EDGES AND CAN CUT****
- Get help moving parts and building the door, as some pieces are heavy and awkward to handle.
- These instructions are for a Single Dutch Door with Full Frame. On some custom doors, some steps are not applicable, dimensions, and in some cases quantities may be different than those shown.
- The wood called out in this document is standard nominal dimensional lumber. For example 2" x 6" standard lumber has an actual size of 1.5" x 5.5". We suggest Tongue and Groove material, or steel skin.

Full Frame Single Dutch Door Instructions

What You Need

Tools:

- Circular saw
- Blade for above to cut 2" x 6" lumber
- Impact drill
- Caulking gun

- 3/8" hex impact driver bit
- Robertson #3 screwdriver bit
- Philips driver bit
- #25 Torx bit
- Caulking to match door

- 3/4 wrench and socket
- 15/16 wrench and socket

- Hammer
- Level
- Tape measurer

Wood:

- 5 x 2 x 6 x 8' (Bottom Door)
- 5 x 2 x 6 x 8' (Top Door if required)
- 2 x 2 x 6 x 8' (Door Casing)
- 1 x 2 x 6 x 5' (Door Casing)

- Cedar shims (Wood Wedges)

Full Frame Single Dutch Door Instructions

Parts List

Part #	Description	Qty
011-DDTDWP	Dutch Door Top Door	1
011-DDBD	Dutch Door Bottom Door	1
011-DDD-F	Dutch Door Frame	1
011-DD-TBCC	Dutch Door Top/Bottom Cross Channel	1
011-DD-TDSA	Dutch Door Top Door Sill Angle	1
011-DD-BDSC	Dutch Door Bottom Door Side Channel	2
011-DD-BDCB	Dutch Door Bottom Door Corss Buck	2
03-2056	Dutch Door Skin Style Horizontal Sill Angle	1
011-DDWC	Dutch Door Window Channel (if door has window)	1
365-101	Iron Grip Latch Heavy Duty Latch with Cast Handle	1



02-2008	Screw #12 x 1" Black Eclipse Screw <i>Only supplied for painted doors. If glass is already in, quantities will be reduced.</i>	6
---------	---	---



02-2162	Lag Bolt 1/4" x 3" Hot Dipped Galv	15
---------	------------------------------------	----



02-2302	Washer 1/4" Hot Dipped Galv	15
---------	-----------------------------	----



02-2110	Hex Bolt 3/8" x 1" Hot Dipped Galv G5	4
---------	---------------------------------------	---



02-2220	Nut 3/8" Hot Dipped Galv	4
---------	--------------------------	---



02-2310	Washer 3/8" Hot Dipped Galv	4
---------	-----------------------------	---

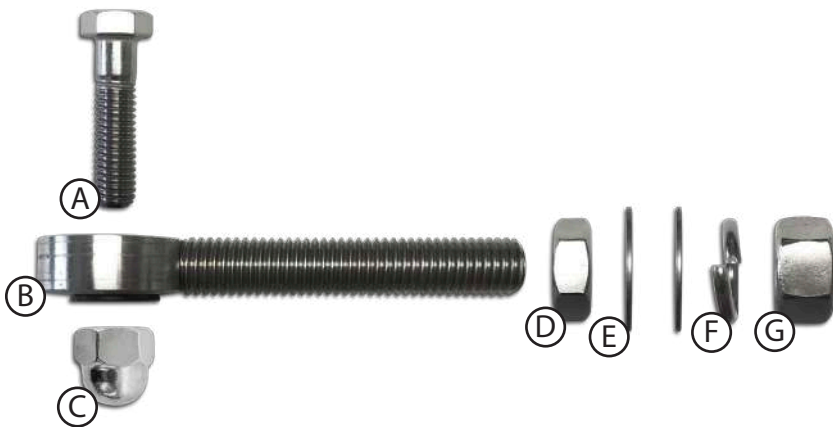


Full Frame Single Dutch Door Instructions

Parts List (Continued)

Part #	Description	Qty
02-2128	Hex Bolt 1/2" x 2" Stainless Steel <i>See Part A in Diagram 1</i>	4
02-HA-020-W-AB	Eyebolt Loop Weldment for Adjustable Hinge w/Bushing <i>See Part B in Diagram 1</i>	4
02-2245	Nut 1/2" Acorn Stainless Steel <i>See Part C in Diagram 1</i>	4
02-2252	Nut 5/8" Lock Stainless Steel <i>See Part D in Diagram 1</i>	4
02-2229	Washer 5/8" Stainless 1 1/2" OD <i>See Part E in Diagram 1</i>	8
02-2332	Washer 5/8" Lock Stainless Steel <i>See Part F in Diagram 1</i>	4
02-2254	Nut 5/8" Jam Stainless Steel <i>See Part G in Diagram 1</i>	4

Diagram 1



Full Frame Single Dutch Door Instructions

Parts List (Continued)




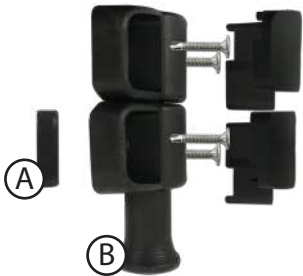
Part #	Description	Qty
02-DDPLUG1	Dutch Door Plug 1" 	15
02-DDWS	Dutch Door Weather Stripping/ft 	30
02-2022	Screw Tek #12 x 1 1/4" Pan Head 	38
02-DWGL	Dutch Window Gold Door Latch Magnetic Catch (Black) <i>See Part B in Diagram 2</i>	1
02-20594	Dutch Window Gold Latch Shim <i>See Part A in Diagram 2</i>	1

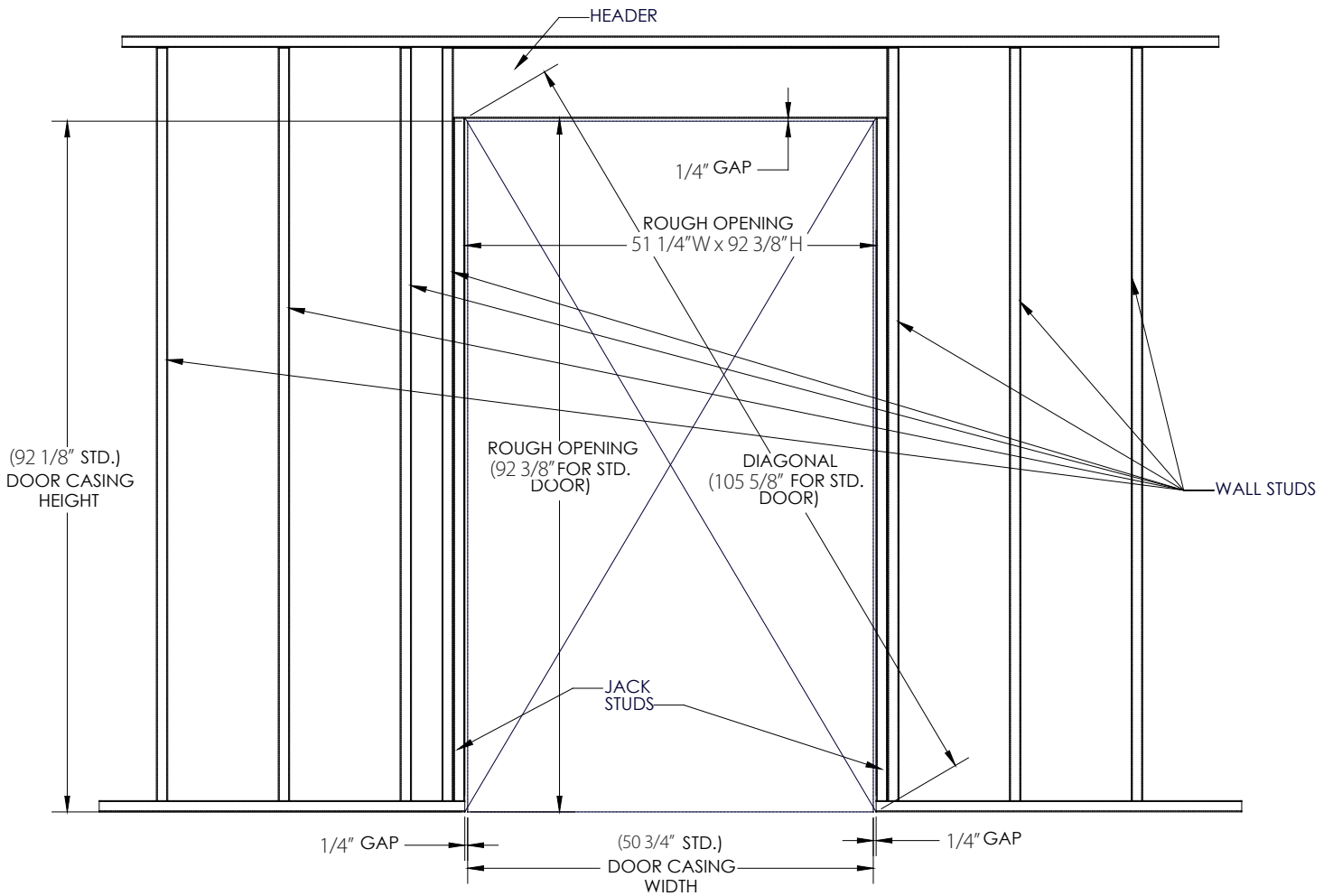
Diagram 2



02-DDDH	Dutch Door 490 Cast Aluminum Door Holder 	2
---------	---	---

Full Frame Single Dutch Door Instructions

Rough Opening



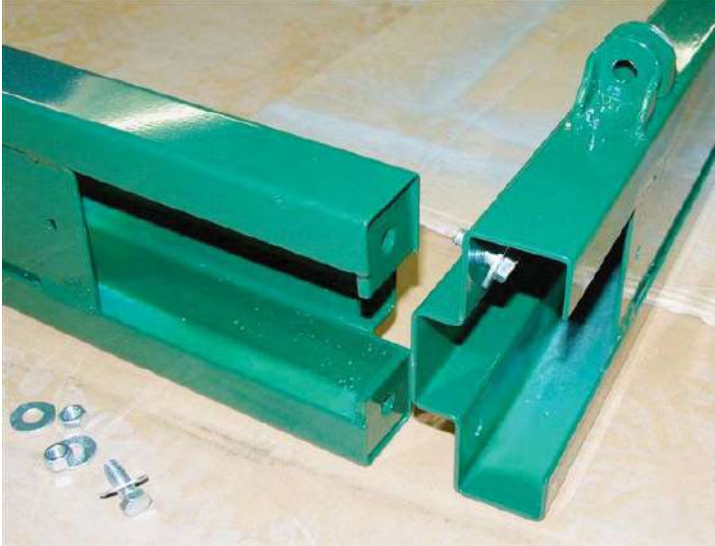
TYPICAL WALL CONSTRUCTION

- * DOOR OPENING MUST BE SQUARE
- ** CHECK THAT DIAGONALS ARE EQUAL

Full Frame Single Dutch Door Instructions

Step 1

The frame assembly comes in three pieces and is bolted together on site. Lay out the top, left, and right sides. Then use the 3/8" bolts and washers provided to bolt the frame together.



Parts used:

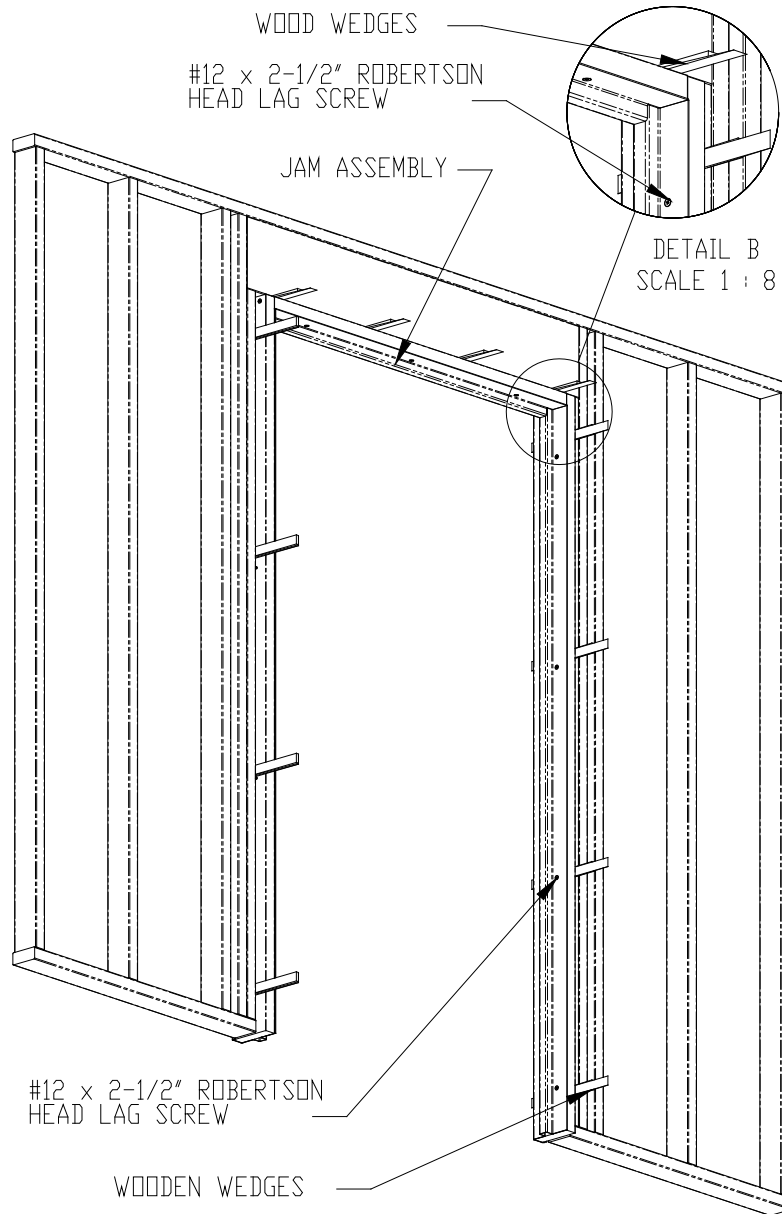
Part #	Description	Qty
02-2310	Washer 3/8" Hot Dipped Galv 	4
02-2220	Nut 3/8" Hot Dipped Galv 	4
02-2110	Hex Bolt 3/8" x 1" Hot Dipped Galv G5 	4

Full Frame Single Dutch Door Instructions



Step 2

Tip up the frame assembly, and center in the rough opening. Level the frame using shims, and with 1/4" x 3" Hex Head Lag Bolts, replace the #12 x 1 1/4" Philips Truss Head screws as you go around. It is very important to ensure the frame is perfectly level and square.

NOTE: Frame must be flush with finished wall if you want the door to open 180 degrees.



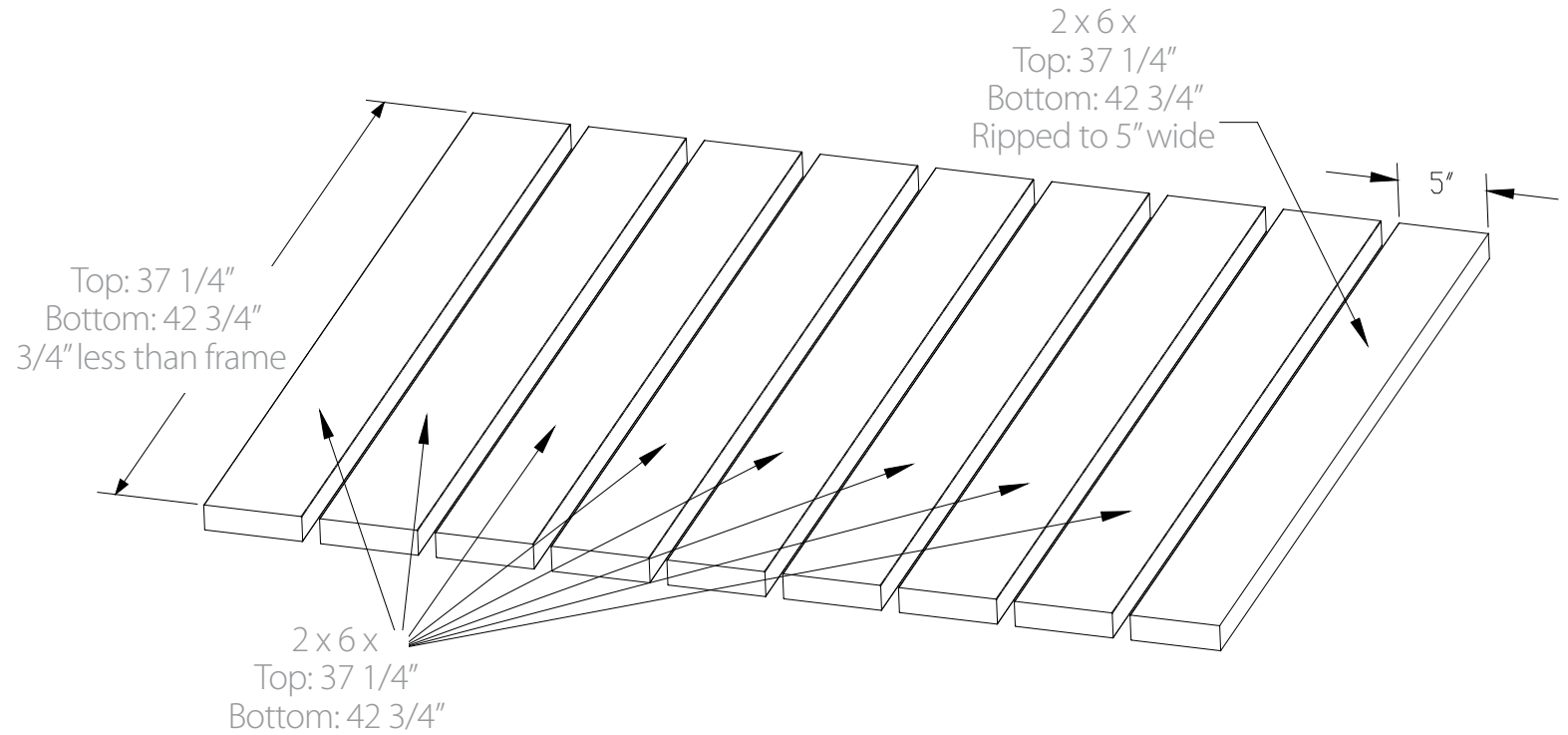
Parts used:

Part #	Description	Qty
02-2162	Lag Bolt 1/4" x 3" Hot Dipped Galv	15
		
02-2302	Washer 1/4" Hot Dipped Galv	15
		

Full Frame Single Dutch Door Instructions

Step 3 (Door Insert—Wood)

Cut the boards to fit into panels $\frac{3}{4}$ " less than the opening. Glue the boards together in a full panel. Total width of panels would be $\frac{1}{4}$ " less than the opening. Center the boards and clamp for recommended gluing time.



Full Frame Single Dutch Door Instructions

Step 4 (Door Insert—Wood)

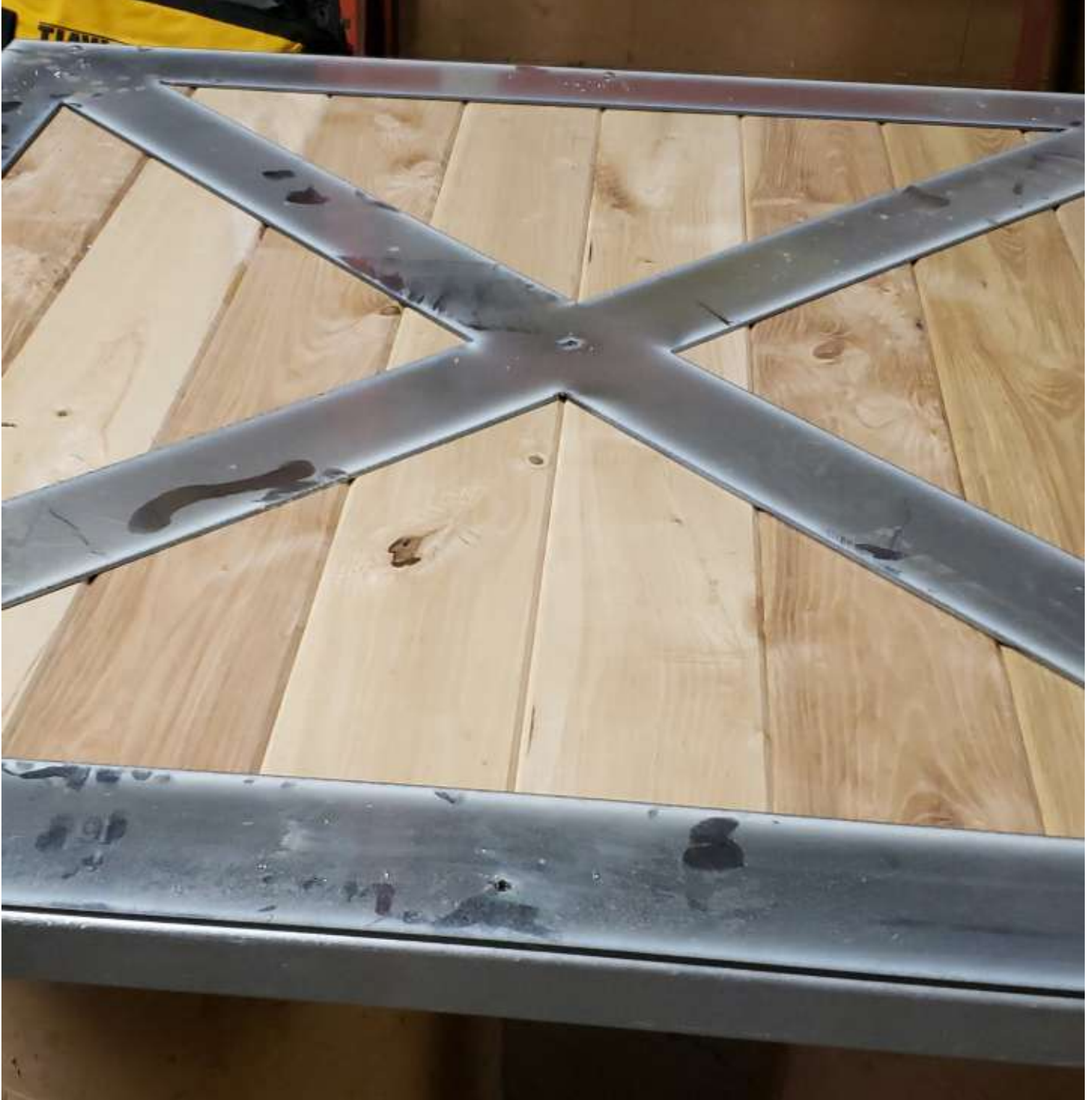
Put metal strip on top and bottom of doors to keep panel intact (optional).



Full Frame Single Dutch Door Instructions

Step 5

Put insert panel into frame, then put skin onto frame ensuring to center it on all sides. This can be wood, FRP and foam, or wood and metal insert. We recommend all wood be pre-stained and glued.



Full Frame Single Dutch Door Instructions

Step 6

Once you have filled the bottom panel with your wood you can now install the outside skin panel to complete the door assembly. Unassemble the skin from the frame by taking off the screws, insert the fill, then use the existing screws to fasten the skin back on. Center the panel to ensure the reveal is even around the entire frame. Hold the skin with vise grips (protect the paint) or a helper to ensure it doesn't move and using the supplied self drilling metal tek screws install one in all four corners through the holes already in the skin. Then install the remainder through the holes in the skin (do not tighten right away). You should back the screws back off and blow the metal filings created by the self drilling screws (these cause rust spots). If you have painted product you can remove the metal screws and replace with the painted black screws supplied.



Fill should be installed first



Fill should be installed first

Parts used:

Part #	Description	Qty
02-2022	Screw Tek #12 x 1 1/4" Pan Head <i>Only supplied for galvanized doors.</i>	10



02-2008	Screw #12 x 1" Black Eclipse Screw <i>Only supplied for painted doors.</i>	10
---------	---	----



Full Frame Single Dutch Door Instructions

Step 7

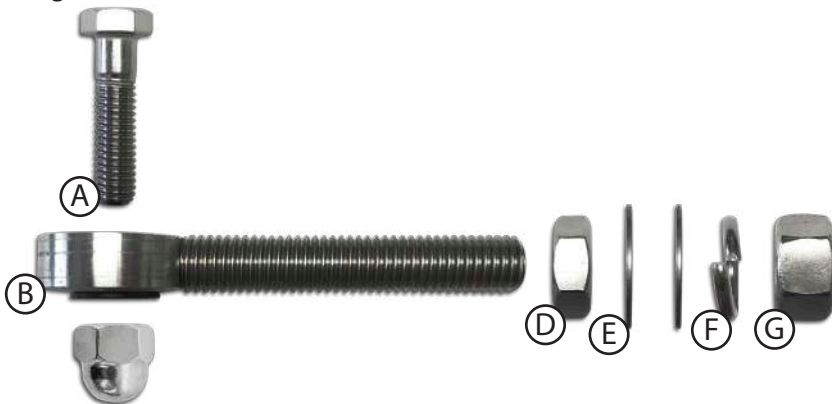
Assemble the eye bolt loops on all doors as shown below. Hand-tighten nuts on the eye bolts.

NOTE: The Delrin bushing on the hinge always faces down.

Parts used:

Part #	Description	Qty
02-2128	Hex Bolt 1/2" x 2" Stainless Steel <i>See Part A in Diagram 1</i>	4
02-HA-020-W-AB	Eyebolt Loop Weldment for Adjustable Hinge w/Bushing <i>See Part B in Diagram 1</i>	4
02-2245	Nut 1/2" Acorn Stainless Steel <i>See Part C in Diagram 1</i>	4
02-2252	Nut 5/8" Lock Stainless Steel <i>See Part D in Diagram 1</i>	4
02-2229	Washer 5/8" Stainless 1 1/2" OD <i>See Part E in Diagram 1</i>	8
02-2332	Washer 5/8" Lock Stainless Steel <i>See Part F in Diagram 1</i>	4
02-2254	Nut 5/8" Jam Stainless Steel <i>See Part G in Diagram 1</i>	4

Diagram 1



Full Frame Single Dutch Door Instructions

Step 8

With the eye bolts installed and tightened by hand, lift the doors into place with three people. They will line up with the welded tabs on the frame. Drop the 1/2" stainless bolts through the top tab, eye bolt, and bottom tab and fasten the Acorn Nut.

Parts used:

Part #	Description	Qty
02-2128	Hex Bolt 1/2" x 2" Stainless Steel	4
		
02-2245	Nut 1/2" Acorn Stainless Steel	4
		

Step 9

Install the weatherstripping around the frame of the openings before tightening the eye bolts. Weatherstripping is the "fur" with a peel and stick adhesion. Make sure it is above 10 degrees Celsius when you complete this step for it to adhere properly. You are now ready to adjust the doors.

Parts used:

Part #	Description	Qty
02-DDWS	Dutch Door Weather Stripping/ft	30
		

Step 10

Level the bottom door to line up with the top door, snugging them up against the frame.

Step 11

Install the Dutch Door Plugs.

Parts used:

Part #	Description	Qty
02-DDPLUG1	Dutch Door Plug 1"	15
		

Full Frame Single Dutch Door Instructions

Step 12

Install the sill angles.

For swing-out doors: Horizontal sill angles are installed on the top doors facing out.

For swing-in doors: Horizontal sill angles are installed on the top doors facing in.

Put caulking in between sill and 1 3/4" x 1 3/4" before screwing on.

#10 ROBERTSON SELF-TAPPING SCREW

SILL ANGLE PLATE

DETAIL A
SCALE 1 : 4

DOOR
FRAME

DOOR
FRAME

SILL
ANGLE

#12 x 1-1/4"
PHILIPS TRUSS
HEAD SCREW

DETAIL B
SCALE 1 : 4

DETAIL A
SCALE 1 : 2

Parts used:

Part #	Description	Qty
02-2022	Screw Tek #12 x 1 1/4" Pan Head	3

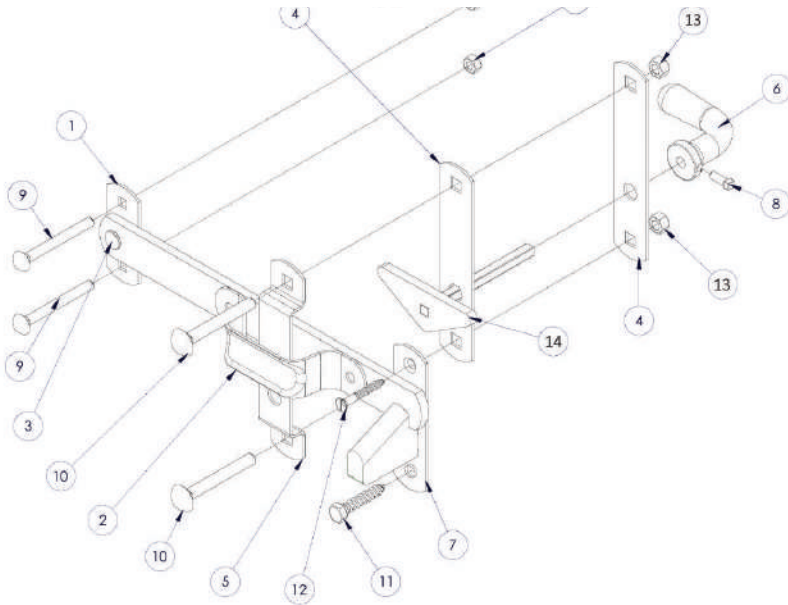


Full Frame Single Dutch Door Instructions

Step 13

Install the Iron Grip Latch or the Paddock Walkthrough Latch (next page). Ensure to leave at least a 1/4" gap between the edges of the side sill angle (mounted on the secondary door) and the edge of the latch when the door is closed. Instructions can be found here:

https://systemequine.com/pub/media/wysiwyg/pdf/365-100_Iron_Grip_Latch_Instructions_01.19.pdf



#	Part #	Description	Qty
1	365-236	Iron Grip Handle Pivot Plate Painted	1
2	365-125	Iron Grip Handle Painted	1
3	02-2212	Nut 5/16" Acorn Stainless	1
3A	02-PGL-WASHER	Iron Grip 5/16" Plastic Washer	1
4	365-120	Iron Grip Front/Back Plate Painted	2
5	365-124	Iron Grip Handle Guide Painted	1
6	365-121	Iron Handle Grip Painted	1
7	365-123	Iron Grip Catch Painted	1
8	02-PGL-SCREW	Iron Grip 5/16" x 5/8" Square Head Set Screw	1
9	02-2180	Carriage Bolt 5/16" x 5 1/2" Stainless	2
10	02-2180	Carriage Bolt 5/16" x 5 1/2" Stainless	2
11	02-2166	Lag Bolt 3/8" x 1 1/2" Hot Dipped Galv	1
12	02-2016	Screw #12 x 2 1/2" Robertson Flat Socket	1
Steel Frame Door Install			
	02-2043	Screw Tek #14 x 1" Hex Head	1
	02-2032	Screw Tek #10 x 1 1/4" Wafer Head	1
13	02-2212	Nut 5/16" Acorn Stainless	4
14	365-122	Iron Grip Triangle Cam Painted	1

Parts used:

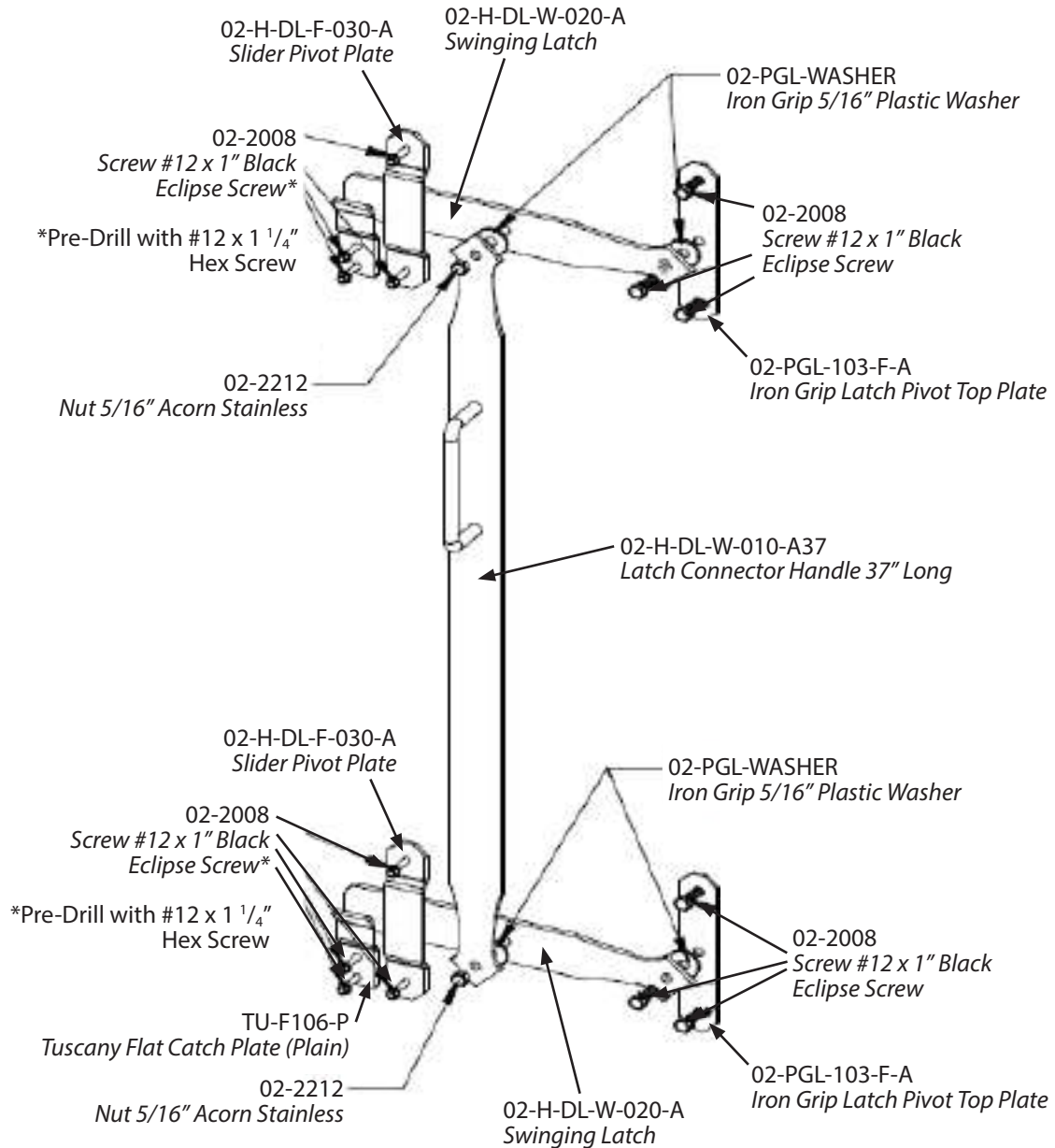
Part #	Description	Qty
365-101	Iron Grip Latch Heavy Duty Latch with Cast Handle	1



Full Frame Single Dutch Door Instructions

Step 13

If not installing the Iron Grip Latch, install the Paddock Walkthrough Latch (please note: opens from outside only).



Full Frame Single Dutch Door Instructions

Step 14

Install the Magnetic Latches to the top of the bottom door and bottom of the top door as shown below. The Shim will only need to be used if installing the latch on the side of the door that the sill is on (such as in the top right photo below). All latches are installed on the inside of the door, for swing in doors the latch is preassembled on the sill.

Parts used:

Part #	Description	Qty
02-20594	Dutch Window Gold Latch Shim <i>See Part A in Diagram 2</i>	1
02-DWGL	Dutch Window Gold Door Latch Magnetic Catch (Black) <i>See Part B in Diagram 2</i>	2
02-2022	Screw Tek #12 x 1 1/4" Pan Head <i>See Part C in Diagram 2</i>	4

Diagram 2



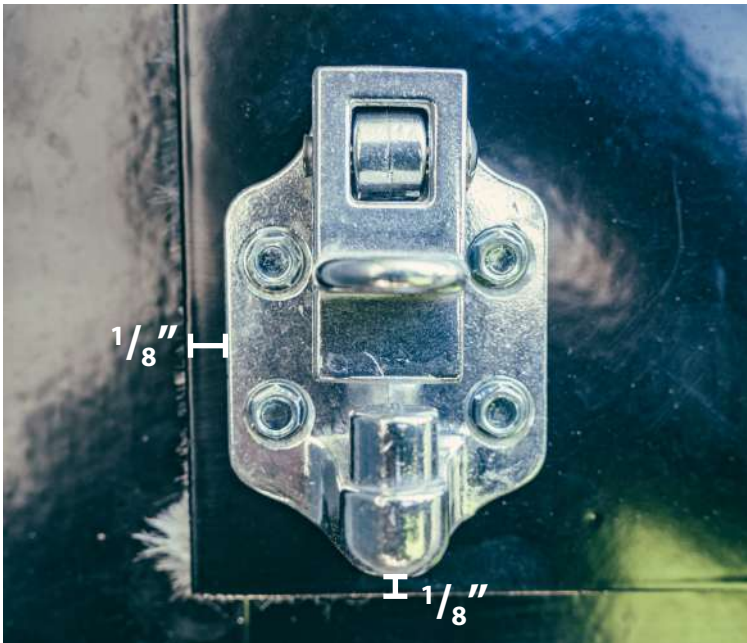
Angle Frame Single Dutch Door Instructions

Step 15

Install the Aluminum Door Holder as shown below. Door holders hold the top of the door in place against your building when in the open position.

Parts used:

Part #	Description	Qty
02-DDDH	Dutch Door 490 Cast Aluminum Door Holder	2



WARNING!

Be careful not to break glass when installing. Install as shown above.