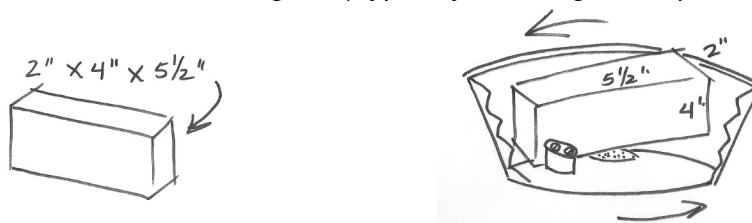


## REPLACING A VALVE HOUSING on The Drinking Post Waterer

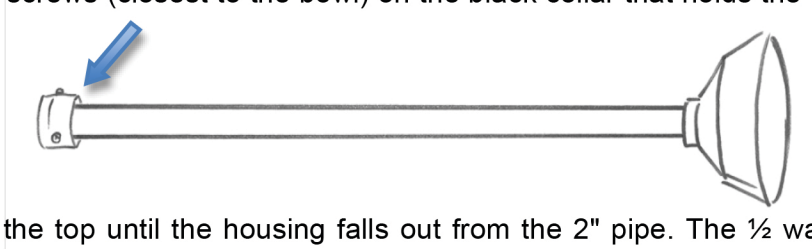
Materials needed to complete this repair:

- PVC Teflon Paste
- Piece of 2" x 4" wood cut between 5 ½" to 6" in length
- Phillips head screwdriver
- New valve housing

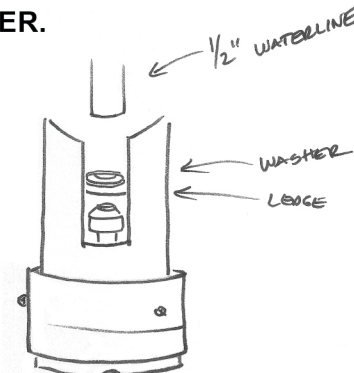
1. Turn your water supply line off.
2. Remove the paddle from the bowl.
3. Place a 'handle' between the bowl hinges. (Typically a 6" length of a piece of 2 x 4 wood)



4. Turn the bowl counter clockwise to release it from the supply line; pull it up carefully through the guide in the base of the 8" support pipe.
5. Once you have the post disconnected from your water line and removed from the ground, you may wish to relocate to a 'workshop' area.
6. Remove the top 3 screws (closest to the bowl) on the black collar that holds the valve housing to the 2" pipe.

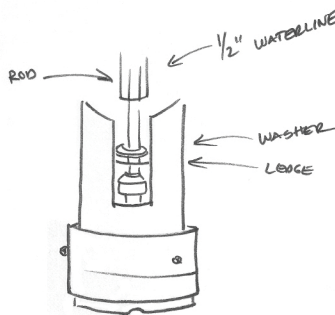


7. Tap the collar on the top until the housing falls out from the 2" pipe. The ½" water line and the stainless steel rod will also slide out of the 2" pipe with the housing.
8. Remove the ½" waterline and the stainless steel rod from the old housing. Take the stainless steel rod out of the ½" waterline and set aside.
9. Insert the ½" line into the new housing.
  - **BE CERTAIN THE SMALL PLASTIC WASHER IS IN THE VALVE HOUSING AND THE WATERLINE IS INSERTED OVER THE WASHER.**



## REPLACING A VALVE HOUSING on The Drinking Post Waterer (con't)

10. Slide the waterline connected to the valve housing into the 2" pipe. You will have to guide the ½" into the bowl by lining it up with the drain hole. You can do this with a long screwdriver through the hole in the bowl screen.
  - **If your post does not have either the valve housing attached to the bottom, or the bowl attached to the top;** follow step 8, then affix the valve housing to the 2" pipe, next attach the bowl to the top after carefully feeding the ½" waterline through hole in the center of the bowl.
11. Once the ½" waterline is through the drain hole in the bowl, stand the post straight up with the valve housing setting on the ground and push down on the 2" pipe as hard as you can to ensure the 2" pipe is completely and securely connected to and sitting inside of the black collar connected to the valve housing.
12. Replace the 3 top screws on the black collar
13. Carefully insert the stainless steel rod through the bowl screen.
  - **Don't drop it in!! Dropping it in could damage the valve housing.**
  - Push down **gently** and twist slightly until you have seated the rod in the intake valve.
  - You want to ensure the rod has fallen past the washer sitting on the ledge and is seated inside the intake valve.



14. Give it the last little push to seat it and then measure the length standing above the filter. **It must not be longer than 1/4" or shorter than 3/16"**.
15. Reattach paddle.
16. Apply some PVC Teflon paste to the base threads in the valve housing.
17. Insert the Post into the 8" pipe and carefully through the guide wheel; turn the Post clockwise until gently securing it on the supply line. Be careful not to cross thread your connection. Hand tighten using the 2 x 4 method mentioned above.
18. Turn on your supply line water.