

# Breathe- Right



# HRV





## IMPROVE AIR QUALITY • SAVE ENERGY • CONTROL HUMIDITY

MOTOR  
EC



The heat recovery ventilator is an easy and effective solution for rooms and smaller areas, and provides innovative ventilation for fresh air intake and stale air exhaust.

### FEATURES

- Fresh air supply
- Heating cost savings during winter
- Indoor humidity control
- One Breathe-Right HRV can ventilate up to 343 sq. ft.
- Units can operate independently or can be wired for master-slave operation.
- Air filtration
- Anti-bacterial air treatment
- Polluted air extract
- 5 Year Warranty

### BENEFITS

#### Plug-&-Play installation

- No special skills required
- No balancing needed
- Through the wall installation.
- Compact unit design

#### Multifunctional Wireless Remote Control

- Almost no maintenance required
- Washable filter and core
- MERV6 air purification
- Antibacterial treatment of ERV core and filters

#### Aluminum Outer Hood

- Modern design that fits any interior and exterior
- 100% corrosion proof

#### EC Motor

- Efficacy 5.7 CFM/W – Twice as high as the Energy Star requirement
- Whisper quiet operation, as low as 0.1 SONES

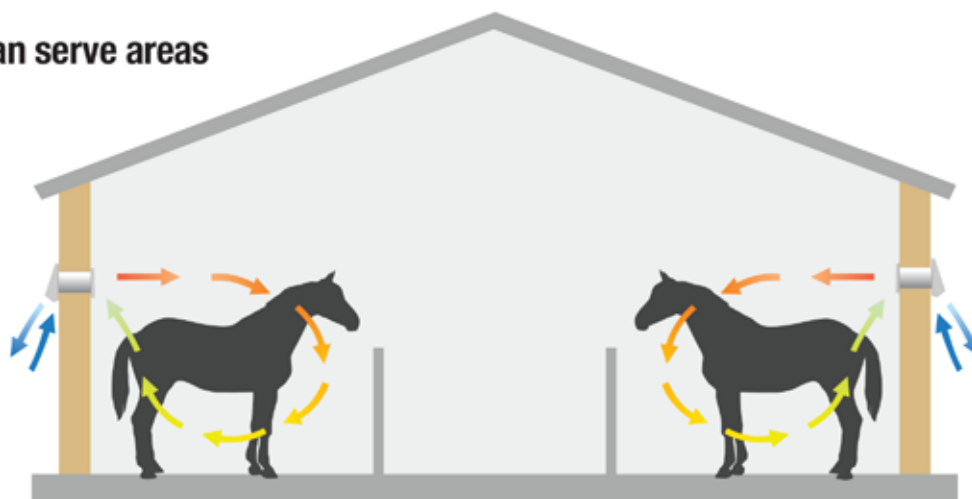
#### Patent Pending on Ceramic ERV Core

External rotor motor on ball bearing with thermal protection ensures long life of the fans.

### VENTILATION APPLICATION EXAMPLE

#### One Breathe-Right HRV unit can serve areas up to 343 SQ. FT.

To arrange a ventilation system based on Breathe-Right HRV ventilators, install one unit in each stall. Units can operate independently or can be wired for master-slave operation.



#### System Equine

(519) 856-9959 • 1 (800) 461-3362 • Sales@SystemEquine.com  
14321 Fifth Line Nassagaweya • Rockwood, ON • N0B 2K0  
www.SystemEquine.com

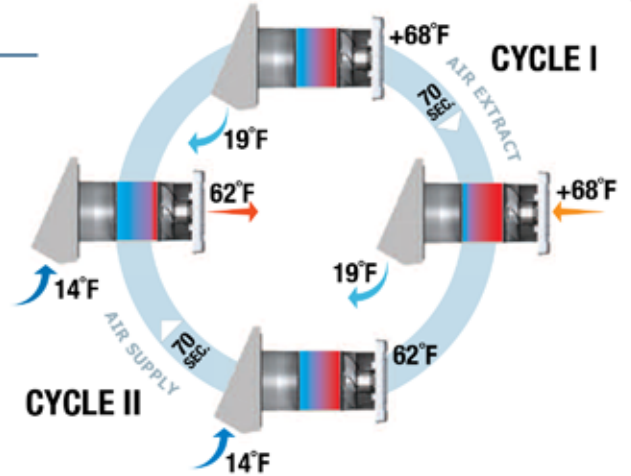




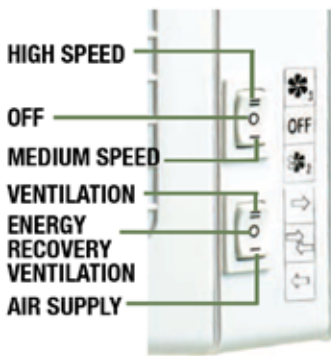
## OPERATION OF BREATHE-RIGHT HRV

The ventilator is designed for both extract and supply ventilation with energy recovery function.

- **CYCLE I.** While warm, stale air is extracted from a room it passes through the ceramic energy core where the heat and moisture is being accumulated. After the ceramic core heats up, the ventilator automatically switches to supply mode.
- **CYCLE II.** As the clean, fresh air from outside passes through the ceramic energy core, it absorbs moisture and it warms up due to the accumulated heat. As temperature of the accumulator drops down, the fan switches to extract mode and the cycle is renewed. The ventilator changes its operation mode for supply or extract ventilation every 70 seconds.



## BREATHE-RIGHT HRV CONTROL AND OPERATION MODES

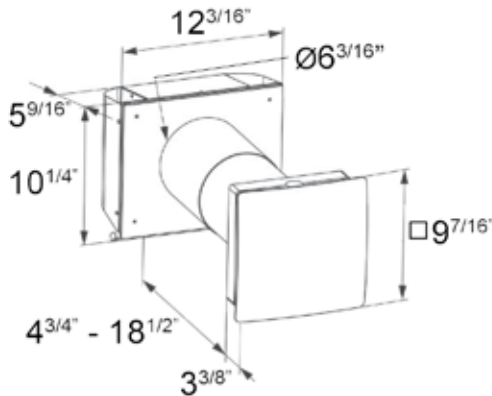


- POWER** Turn ventilator on/off
- SPEED SWITCH**
- PASSIVE AIR SUPPLY**  
The louvre shutters are opened, but the fan stands still.
- VENTILATION**  
All the ventilators in the network operate in permanent air extract or air supply mode.



- NIGHT MODE**  
The ventilator is switched to low speed on a signal from built-in light sensor. (Not recommended for horses)
- SUPPLY MODE**  
The fan continuously supplies fresh air to the room.
- VENTILATION WITH ENERGY REGENERATION**  
The ventilator switches from supply and extract modes and vice versa in a set time period to enable the transfer of heat energy in winter and control of moisture in summer.
- HUMIDITY CONTROL MODE SELECTION**  
The ventilator automation enables setting one of three humidity set points (45%, 55% or 65%). The ventilator will operate to increase or decrease the indoor humidity level to maintain comfortable environment for you.

## DIMENSIONS



## SPECIFICATIONS

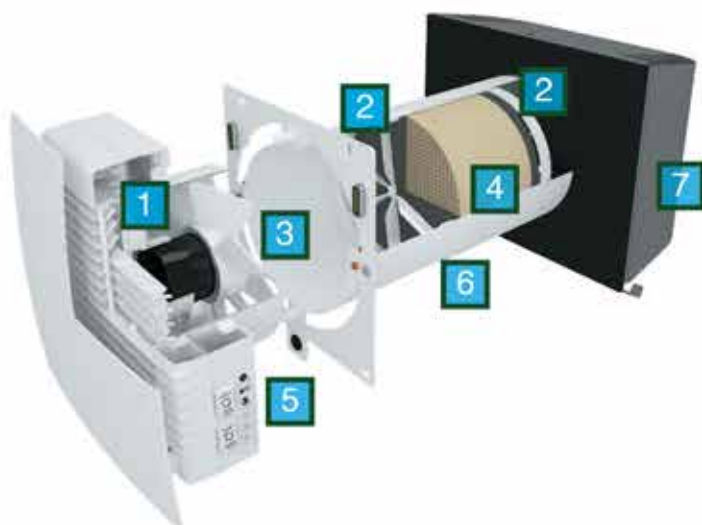
MODEL	SPEED	VOLTAGE (V)	POWER (W)	CURRENT (A)	AIR CAPACITY (CFM)	ROTATION SPEED (MIN-1)	SONES	EFF @32°F	TRANSPORTED AIR TEMP (°F)	INGRESS PROTECTION RATING
RA1-50-2	1	120/60 HZ	3.8	0.024	8	610	0.1	91%	FROM -13 UP TO 122	IP 45
	2		3.96	0.026	16	800	0.3			
	3		5.61	0.039	32	1450	1.0			

### System Equine

(519) 856-9959 • 1 (800) 461-3362 • Sales@SystemEquine.com  
14321 Fifth Line Nassagaweya • Rockwood, ON • N0B 2K0  
www.SystemEquine.com



## BREATHE-RIGHT HRV DESIGN



### 1 Front grille with automatic shutters

Easy access for filter cleaning or replacement. The front grille is made of high quality snow-white ABS plastic.

### 2 MERV6 air filter. Antibacterial treatment

Two G3 built-in filters provide fresh air free of dust, pollen, insects.

### 3 Reversible axial EC fan

The latest EC-motor technology ensures low energy costs. The motor has integrated overheating protection and ball bearings for longer service life.

### 4 Ceramic ERV core

The ventilator includes a high-tech polymer ceramic energy accumulator with ARE 90% @ 32 F. Antibacterial treatment. No defrost needed.

### 5 Control

### 6 Telescopic Duct - diameter 6"

### 7 Outer hood

The exterior is constructed of aluminum covered with a special polymer coating to ensure long-lasting protection from the elements. A grill protects water and foreign objects from entering the unit.



## REDUCE HUMIDITY IN YOUR TACK ROOM

The Breathe-Right HRV is perfect for controlling the humidity in your tack room. Just set the ventilator to one of three humidity settings (45%, 55% or 65%) to increase or decrease the indoor humidity level.



### System Equine

(519) 856-9959 • 1 (800) 461-3362 • Sales@SystemEquine.com  
14321 Fifth Line Nassagaweya • Rockwood, ON • N0B 2K0  
www.SystemEquine.com